

Series 563, 565, 567



AVENTICS™ Series 563, 565, 567



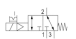

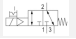

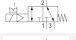






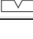
3/2-directional valve, Series 563

- 3/2
- Qn = 1350 l/min
- NO/NC
- Plate connection
- Electrical connection : Plug, Form B, industry
- Manual override : with detent
- Pilot : External, Internal



| | |
|-------------------------------|---------------------------|
| Version | Poppet valve |
| Activation | Electrically |
| Working pressure min./max. | 3.5 ... 10 bar |
| Control pressure min./max. | 3.5 ... 10 bar |
| Ambient temperature min./max. | -20 ... 50 °C |
| Medium temperature min./max. | -20 ... 50 °C |
| Medium | Compressed air |
| Max. particle size | 5 µm |
| Oil content of compressed air | 0 ... 5 mg/m ³ |
| Nominal flow Qn | 1350 l/min |
| Duty cycle | 100 % |
| Weight | 0.38 kg |

Technical data

| Part No. | | MO | | Compressed air connection | | Operational voltage |
|------------|---|---|-------|---------------------------|------|---------------------|
| | | | | Input | DC | |
| 5633011330 |  |  | NO/NC | G 1/4 | - | |
| 5633011340 |  |  | NO/NC | G 1/4 | 24 V | |
| 5633050100 |  |  | NO/NC | G 1/4 | 24 V | |
| 5633011320 |  |  | NO/NC | G 1/4 | - | |
| 5633011310 |  |  | NO/NC | G 1/4 | - | |
| 5633010000 |  |  | NO/NC | G 1/4 | - | |

| Part No. | Operational voltage | | Voltage tolerance |
|------------|---------------------|----------|-------------------|
| | AC 50 Hz | AC 60 Hz | DC |
| 5633011330 | 24 V | - | - |
| 5633011340 | - | - | -10% / +10% |
| 5633050100 | - | - | -10% / +10% |
| 5633011320 | - | 110 V | - |
| 5633011310 | 230 V | - | - |
| 5633010000 | - | - | - |

| Part No. | Voltage tolerance | Voltage tolerance | Power consumption | Holding power |
|------------|-------------------|-------------------|-------------------|---------------|
| | AC 50 Hz | AC 60 Hz | DC | AC 50 Hz |
| 5633011330 | -10% / +10% | - | - | 8 VA |
| 5633011340 | - | - | 5 W | - |
| 5633050100 | - | - | 2 W | - |
| 5633011320 | - | -10% / +10% | - | - |

| Part No. | Voltage tolerance | Voltage tolerance | Power consumption | Holding power |
|------------|-------------------|-------------------|-------------------|---------------|
| | AC 50 Hz | AC 60 Hz | DC | AC 50 Hz |
| 5633011310 | -10% / +10% | - | - | 8 VA |
| 5633010000 | - | - | - | - |

| Part No. | Holding power | Switch-on power | Switch-on power | Pilot |
|------------|---------------|-----------------|-----------------|--------------------|
| | AC 60 Hz | AC 50 Hz | AC 60 Hz | |
| 5633011330 | - | 10 VA | - | External, Internal |
| 5633011340 | - | - | - | External, Internal |
| 5633050100 | - | - | - | External, Internal |
| 5633011320 | 8 VA | - | 10 VA | External, Internal |
| 5633011310 | - | 10 VA | - | External, Internal |
| 5633010000 | - | - | - | - |

| Part No. | Protection class | basic valve with electrical connector | Power consumption |
|------------|------------------|---------------------------------------|-----------------------|
| | with connection | | |
| 5633011330 | IP65 | - | - |
| 5633011340 | IP65 | - | - |
| 5633050100 | IP65 | - | Low power consumption |
| 5633011320 | IP65 | - | - |
| 5633011310 | IP65 | - | - |
| 5633010000 | - | Basic valve without coil | - |

Nominal flow Q_n at 6 bar and $\Delta p = 1$ bar, MO = Manual override

Technical information

The min. control pressure must be adhered to, since otherwise faulty switching and valve failure may result!

The pressure dew point must be at least 15 °C under ambient and medium temperature and may not exceed 3 °C .

The oil content of compressed air must remain constant during the life cycle.

Use only the approved oils from AVENTICS. Further information can be found in the "Technical information" document (available in the MediaCentre).

Min./max. operating pressure for external pilot: - 1 bar / 10 bar

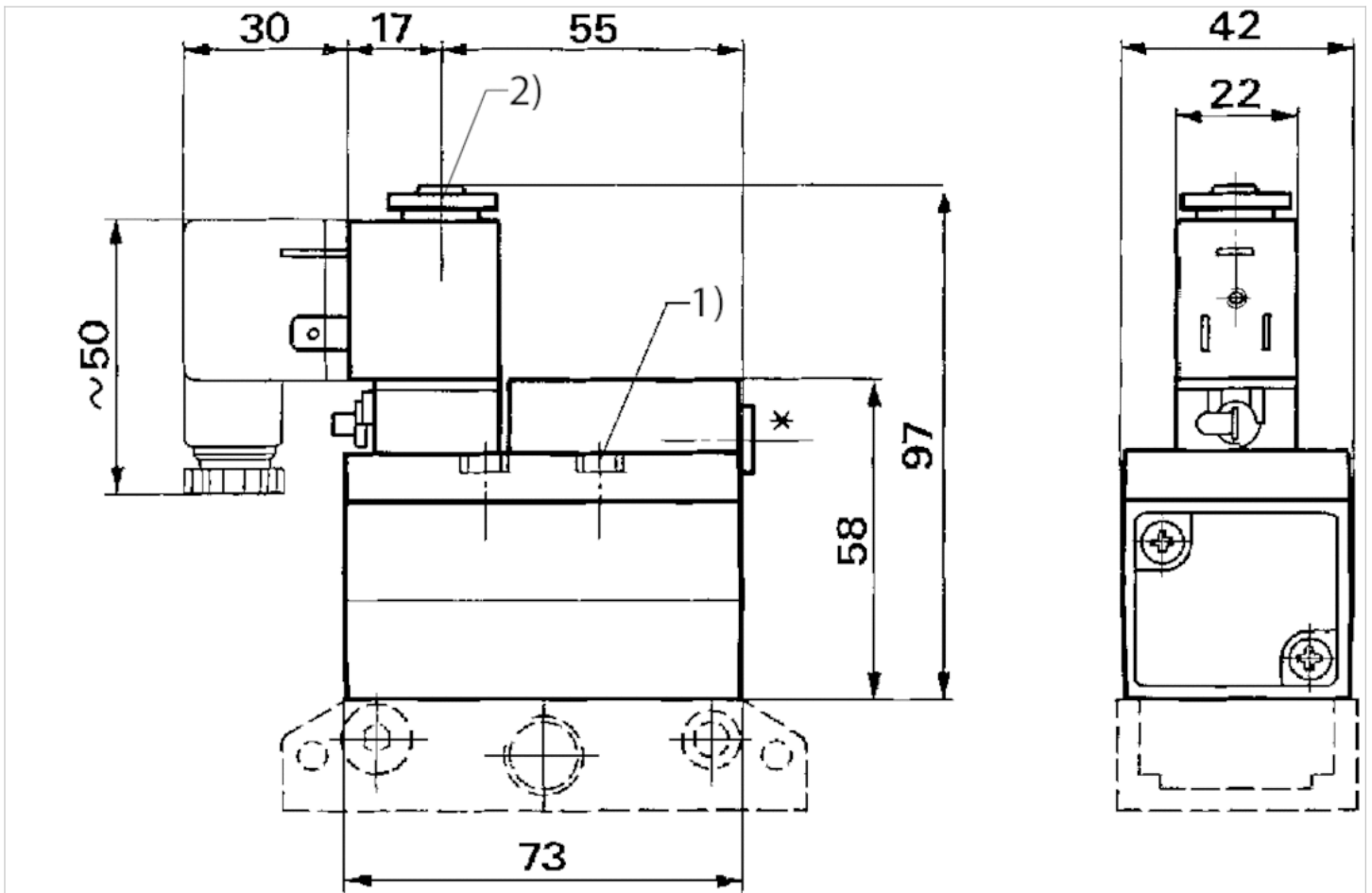
The valves can be energized via the port closed with a plug on the front side of the cover.

Technical information

| Material | |
|----------|--------------------------------|
| Housing | Aluminum |
| Seals | Acrylonitrile butadiene rubber |

Dimensions

Dimensions



1) Tightening torque for mounting screws: 2.7 ± 0.3 Nm

2) Tightening torque for lock nut: 1 ± 0.2 Nm

Base plate not included in the scope of delivery

* Plugged port G 1/8 for external pilot

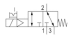

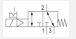

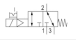

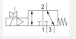

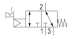

3/2-directional valve, Series 565

- 3/2
- Qn = 4240 l/min
- NO/NC
- Plate connection
- Electrical connection : Plug, EN 175301-803, form A
- Manual override : with detent
- Pilot : External, Internal



| | |
|-------------------------------|---------------------------|
| Version | Poppet valve |
| Activation | Electrically |
| Working pressure min./max. | 3.5 ... 10 bar |
| Control pressure min./max. | 3.5 ... 10 bar |
| Ambient temperature min./max. | -20 ... 50 °C |
| Medium temperature min./max. | -20 ... 50 °C |
| Medium | Compressed air |
| Max. particle size | 5 µm |
| Oil content of compressed air | 0 ... 5 mg/m ³ |
| Nominal flow Qn | 4240 l/min |
| Duty cycle | 100 % |
| Weight | See table below |

Technical data

| Part No. | MO | MO | MO | Compressed air connection | | Operational voltage |
|------------|---|---|-------|---------------------------|------|---------------------|
| | | | | Input | DC | |
| 5653011330 |  |  | NO/NC | G 1/2 | - | |
| 5653011340 |  |  | NO/NC | G 1/2 | 24 V | |
| 5653011320 |  |  | NO/NC | G 1/2 | - | |
| 5653011310 |  |  | NO/NC | G 1/2 | - | |
| 5653010000 |  |  | NO/NC | G 1/2 | - | |

| Part No. | Operational voltage | | Voltage tolerance |
|------------|---------------------|----------|-------------------|
| | AC 50 Hz | AC 60 Hz | DC |
| 5653011330 | 24 V | - | - |
| 5653011340 | - | - | -10% / +10% |
| 5653011320 | - | 110 V | - |
| 5653011310 | 230 V | - | - |
| 5653010000 | - | - | - |

| Part No. | Voltage tolerance | Voltage tolerance | Power consumption | Holding power |
|------------|-------------------|-------------------|-------------------|---------------|
| | AC 50 Hz | AC 60 Hz | DC | AC 50 Hz |
| 5653011330 | -10% / +10% | - | - | 16 VA |
| 5653011340 | - | - | 10 W | - |
| 5653011320 | - | -10% / +10% | - | - |
| 5653011310 | -10% / +10% | - | - | 16 VA |
| 5653010000 | - | - | - | - |

| Part No. | Holding power | Switch-on power | Switch-on power | Pilot |
|------------|---------------|-----------------|-----------------|--------------------|
| | AC 60 Hz | AC 50 Hz | AC 60 Hz | |
| 5653011330 | - | 26 VA | - | External, Internal |
| 5653011340 | - | - | - | External, Internal |
| 5653011320 | 16 VA | - | 26 VA | External, Internal |
| 5653011310 | - | 26 VA | - | External, Internal |
| 5653010000 | - | - | - | - |

| Part No. | Protection class | basic valve with electrical connector | Weight |
|------------|------------------|---------------------------------------|---------|
| | with connection | | |
| 5653011330 | IP65 | - | 0.8 kg |
| 5653011340 | IP65 | - | 0.8 kg |
| 5653011320 | IP65 | - | 0.8 kg |
| 5653011310 | IP65 | - | 0.8 kg |
| 5653010000 | - | Basic valve without coil | 0.75 kg |

Nominal flow Q_n at 6 bar and $\Delta p = 1$ bar, MO = Manual override

Technical information

The min. control pressure must be adhered to, since otherwise faulty switching and valve failure may result!

The pressure dew point must be at least 15 °C under ambient and medium temperature and may not exceed 3 °C .

The oil content of compressed air must remain constant during the life cycle.

Use only the approved oils from AVENTICS. Further information can be found in the "Technical information" document (available in the MediaCentre).

Min./max. operating pressure for external pilot: - 1 bar / 10 bar

The valves can be energized via the port closed with a plug on the front side of the cover.

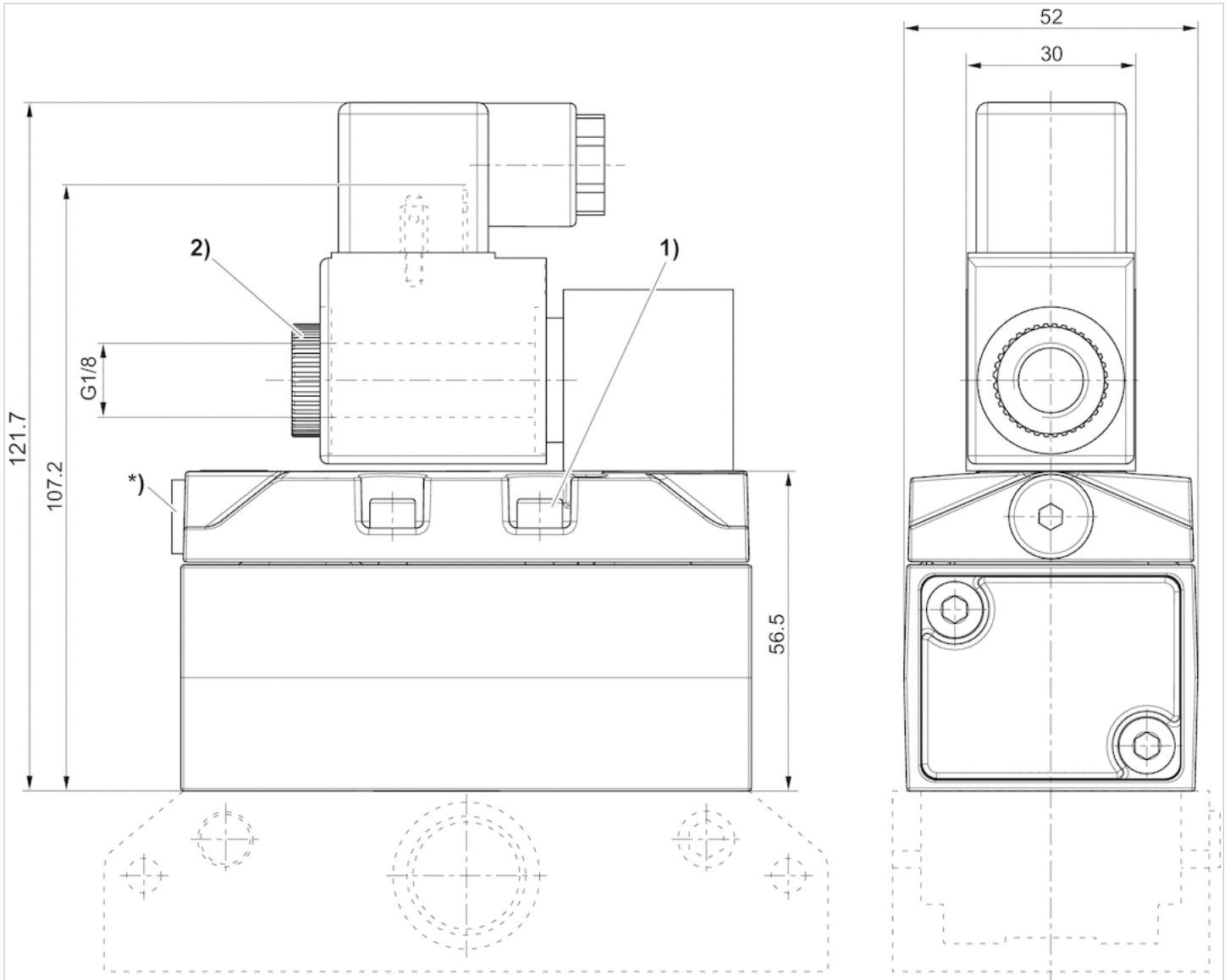
The size of the compressed air connection output for series 563, 565, 567 can vary due to optional use of the base plate. The base plate can be found under "Mechanical accessories".

Technical information

| Material | |
|----------|--------------------------------|
| Housing | Aluminum |
| Seals | Acrylonitrile butadiene rubber |

Dimensions

Dimensions



1) Tightening torque for mounting screws: 2.2 ± 0.2 Nm

2) Tightening torque for lock nut: 1 ± 0.2 Nm

* Plugged port G 1/8 for external pilot

Base plate not included in the scope of delivery

3/2-directional valve, Series 567

- 3/2
- Qn = 13620 l/min
- NO/NC
- Plate connection
- Electrical connection : Plug, EN 175301-803, form A
- Manual override : with detent
- Pilot : External, Internal



| | |
|-------------------------------|---------------------------|
| Version | Poppet valve |
| Activation | Electrically |
| Working pressure min./max. | 3.5 ... 10 bar |
| Control pressure min./max. | 3.5 ... 10 bar |
| Ambient temperature min./max. | -20 ... 50 °C |
| Medium temperature min./max. | -20 ... 50 °C |
| Medium | Compressed air |
| Max. particle size | 5 µm |
| Oil content of compressed air | 0 ... 5 mg/m ³ |
| Nominal flow Qn | 13620 l/min |
| Duty cycle | 100 % |
| Weight | See table below |

Technical data

| Part No. | MO | NO/NC | Compressed air connection | | Operational voltage |
|------------|----|-------|---------------------------|------|---------------------|
| | | | Input | DC | |
| 5673011330 | | | G 1 | - | |
| 5673011340 | | | G 1 | 24 V | |
| 5673011320 | | | G 1 | - | |
| 5673011310 | | | G 1 | - | |
| 5673010000 | | | G 1 | - | |

| Part No. | Operational voltage | Operational voltage | Voltage tolerance |
|------------|---------------------|---------------------|-------------------|
| | AC 50 Hz | AC 60 Hz | DC |
| 5673011330 | 24 V | - | - |
| 5673011340 | - | - | -10% / +10% |
| 5673011320 | - | 110 V | - |
| 5673011310 | 230 V | - | - |
| 5673010000 | - | - | - |

| Part No. | Voltage tolerance | Voltage tolerance | Power consumption | Holding power |
|------------|-------------------|-------------------|-------------------|---------------|
| | AC 50 Hz | AC 60 Hz | DC | AC 50 Hz |
| 5673011330 | -10% / +10% | - | - | 16 VA |
| 5673011340 | - | - | 10 W | - |
| 5673011320 | - | -10% / +10% | - | - |
| 5673011310 | -10% / +10% | - | - | 16 VA |
| 5673010000 | - | - | - | - |

| Part No. | Holding power | Switch-on power | Switch-on power | Pilot |
|------------|---------------|-----------------|-----------------|--------------------|
| | AC 60 Hz | AC 50 Hz | AC 60 Hz | |
| 5673011330 | - | 26 VA | - | External, Internal |
| 5673011340 | - | - | - | External, Internal |
| 5673011320 | 16 VA | - | 26 VA | External, Internal |
| 5673011310 | - | 26 VA | - | External, Internal |
| 5673010000 | - | - | - | - |

| Part No. | Protection class | basic valve with electrical connector | Weight |
|------------|------------------|---------------------------------------|---------|
| | with connection | | |
| 5673011330 | IP65 | - | 2 kg |
| 5673011340 | IP65 | - | 2 kg |
| 5673011320 | IP65 | - | 2 kg |
| 5673011310 | IP65 | - | 2 kg |
| 5673010000 | - | Basic valve without coil | 1.95 kg |

Nominal flow Q_n at 6 bar and $\Delta p = 1$ bar, MO = Manual override

Technical information

The min. control pressure must be adhered to and should be equal or higher than the working pressure. Otherwise faulty switching and valve failure may result!

The pressure dew point must be at least 15 °C under ambient and medium temperature and may not exceed 3 °C .

The oil content of compressed air must remain constant during the life cycle.

Use only the approved oils from AVENTICS. Further information can be found in the "Technical information" document (available in the MediaCentre).

Min./max. operating pressure for external pilot: - 1 bar / 10 bar

The valves can be energized via the port closed with a plug on the front side of the cover.

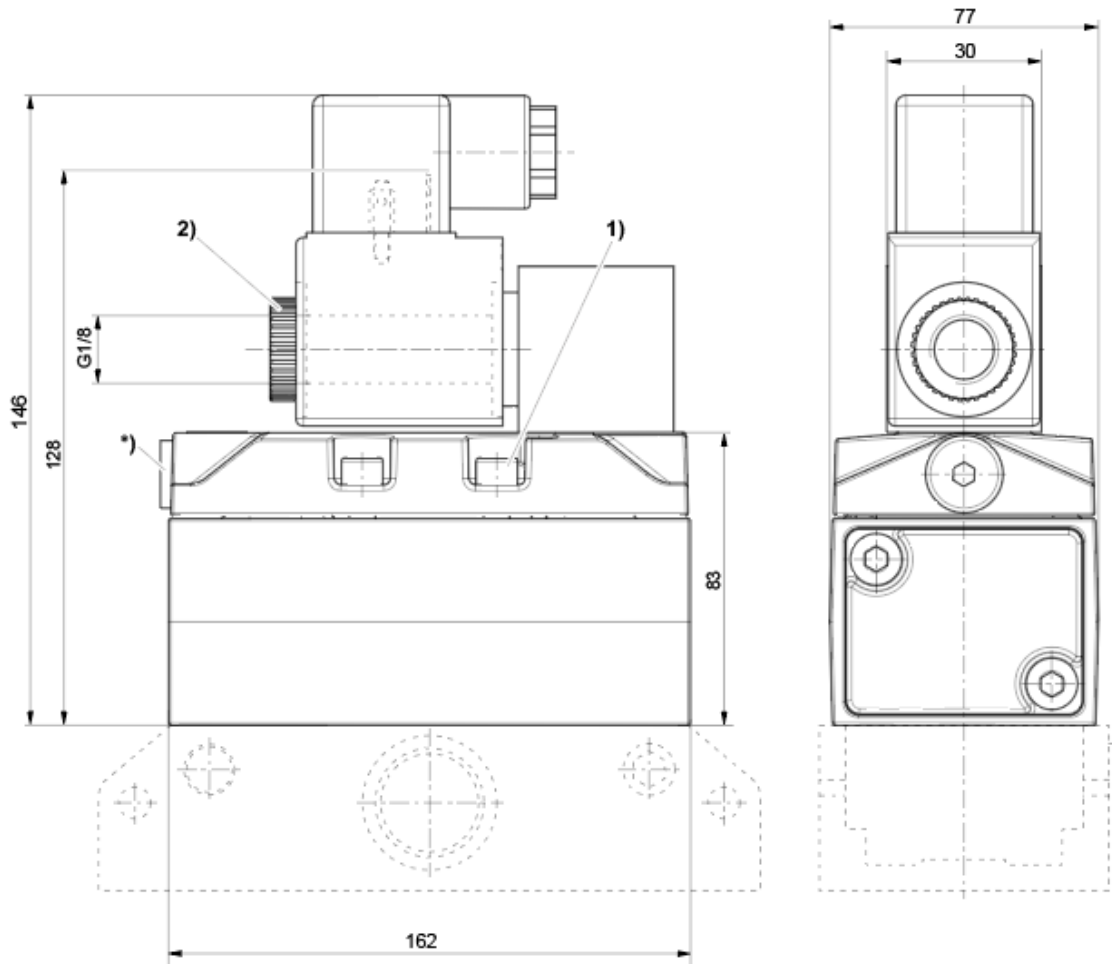
The size of the compressed air connection output for series 563, 565, 567 can vary due to optional use of the base plate. The base plate can be found under "Mechanical accessories".

Technical information

| Material | |
|----------|--------------------------------|
| Housing | Aluminum |
| Seals | Acrylonitrile butadiene rubber |

Dimensions

Dimensions



1) Tightening torque for mounting screws: 2.2 ± 0.2 Nm

2) Tightening torque for lock nut: 1 ± 0.2 Nm

* Plugged port G 1/8 for external pilot

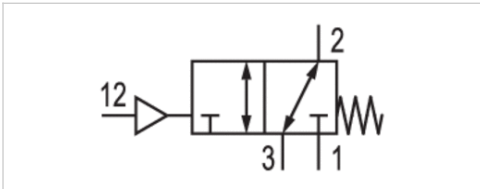
Base plate not included in the scope of delivery

3/2-directional valve, Series 563

- Qn = 1350 l/min
- Compressed air connection output G 1/4
- Plate connection



| | |
|-------------------------------|---------------------------|
| Version | Poppet valve |
| Activation | pneumatically |
| Flow rate value Qn | 1350 l/min |
| Working pressure min./max. | See table below |
| Control pressure min./max. | See table below |
| Ambient temperature min./max. | See table below |
| Medium temperature min./max. | See table below |
| Medium | Compressed air |
| Max. particle size | 5 µm |
| Oil content of compressed air | 0 ... 5 mg/m ³ |
| Weight | 0.3 kg |



Technical data

| Part No. | Compressed air connection | | Working pressure min./max. |
|------------|---------------------------|--------|----------------------------|
| | Input | Output | |
| 5632010000 | G 1/4 | G 1/4 | -1 ... 10 bar |
| 5632310000 | G 1/4 | G 1/4 | -1 ... 30 bar |
| 5632510000 | G 1/4 | G 1/4 | -1 ... 10 bar |

| Part No. | Control pressure min./max. | Ambient temperature min./max. | Medium temperature min./max. | |
|------------|----------------------------|-------------------------------|------------------------------|----|
| 5632010000 | 3.5 ... 10 bar | -20 ... 70 °C | -20 ... 70 °C | - |
| 5632310000 | 5.5 ... 10 bar | -20 ... 70 °C | -20 ... 70 °C | 1) |
| 5632510000 | 3.5 ... 10 bar | -20 ... 120 °C | -20 ... 120 °C | 2) |

Nominal flow Qn at 6 bar and $\Delta p = 1$ bar

1) The valves can be used in the "Normally Closed" function (NC) with a max. operating pressure of 30 bar or in the "Normally Open" function (NO) with a max. operating pressure of 10 bar.

2) Seal: Fluorocaoutchouc

Technical information

The min. control pressure must be adhered to, since otherwise faulty switching and valve failure may result!

The pressure dew point must be at least 15 °C under ambient and medium temperature and may not exceed 3 °C .

The oil content of compressed air must remain constant during the life cycle.

Use only the approved oils from AVENTICS. Further information can be found in the "Technical information" document (available in the MediaCentre).

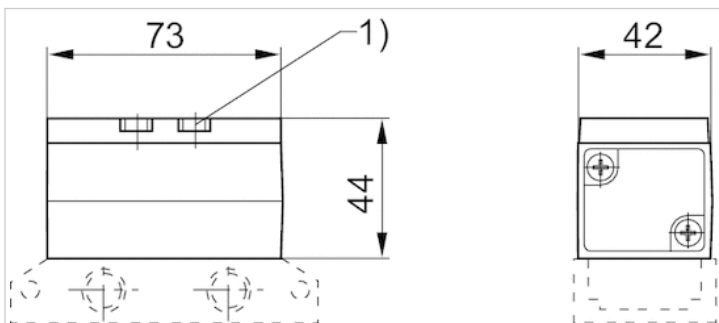
Technical information

Material

| | |
|---------|---|
| Housing | Aluminum |
| Seals | Acrylonitrile butadiene styrene Fluorocautchouc |

Dimensions

Dimensions



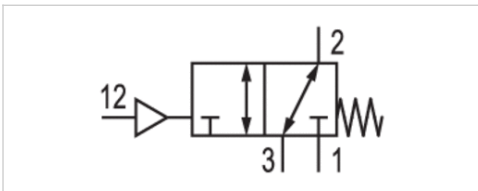
1) Tightening torque for mounting screws: 2.7 ± 0.3 Nm
Base plate not included in the scope of delivery

3/2-directional valve, Series 565

- Qn = 4240 l/min
- Compressed air connection output G 1/2
- Plate connection



| | |
|-------------------------------|---------------------------|
| Version | Poppet valve |
| Activation | pneumatically |
| Flow rate value Qn | 4240 l/min |
| Working pressure min./max. | See table below |
| Control pressure min./max. | See table below |
| Ambient temperature min./max. | -20 ... 70 °C |
| Medium temperature min./max. | See table below |
| Medium | Compressed air |
| Max. particle size | 5 µm |
| Oil content of compressed air | 0 ... 5 mg/m ³ |
| Weight | 0.55 kg |



Technical data

| Part No. | Compressed air connection | | Working pressure min./max. |
|------------|---------------------------|--------|----------------------------|
| | Input | Output | |
| 5652010000 | G 1/2 | G 1/2 | -1 ... 10 bar |
| 5652310000 | G 1/2 | G 1/2 | -1 ... 30 bar |
| 5652510000 | G 1/2 | G 1/2 | -1 ... 10 bar |

| Part No. | Control pressure min./max. | Medium temperature min./max. | |
|------------|----------------------------|------------------------------|----|
| 5652010000 | 3.5 ... 10 bar | -20 ... 70 °C | - |
| 5652310000 | 5.5 ... 10 bar | -20 ... 70 °C | 1) |
| 5652510000 | 3.5 ... 10 bar | -20 ... 120 °C | 2) |

Nominal flow Qn at 6 bar and $\Delta p = 1$ bar

1) The valves are available either with "pressurizing" or "exhaust" function. The 30 bar version can only be switched to "pressurizing" mode.

2) Seal: Fluorocautchouc

Technical information

The min. control pressure must be adhered to, since otherwise faulty switching and valve failure may result!

The pressure dew point must be at least 15 °C under ambient and medium temperature and may not exceed 3 °C .

The oil content of compressed air must remain constant during the life cycle.

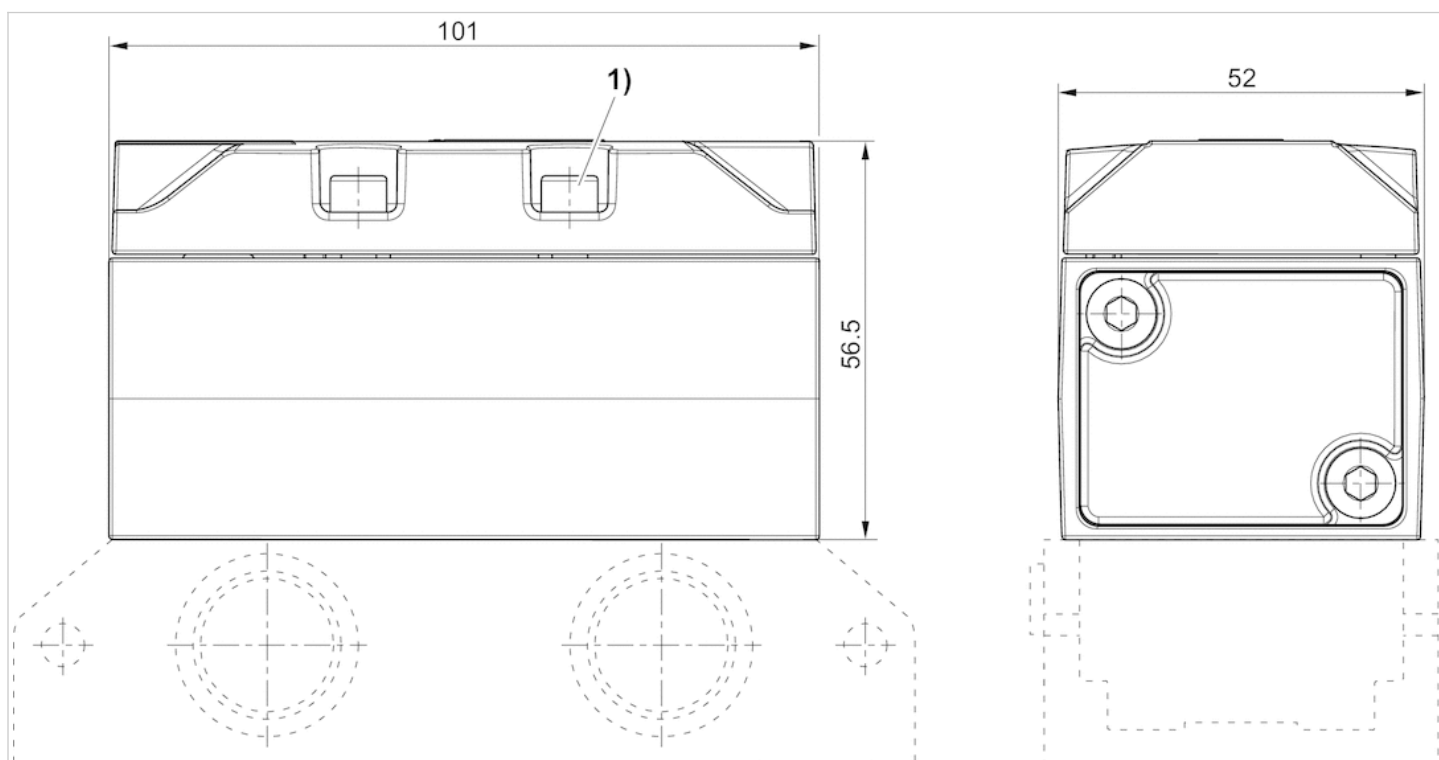
Use only the approved oils from AVENTICS. Further information can be found in the "Technical information" document (available in the MediaCentre).

Technical information

| Material | |
|----------|---|
| Housing | Aluminum |
| Seals | Acrylonitrile butadiene styrene Fluorocarbon caoutchouc |

Dimensions

Dimensions



1) Tightening torque for mounting screws: 5.5 ± 0.5 Nm

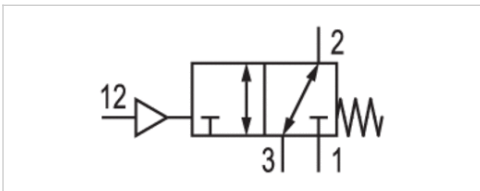
Base plate not included in the scope of delivery

3/2-directional valve, Series 567

- Qn = 13620 l/min
- Compressed air connection output G 1
- Plate connection



| | |
|-------------------------------|---------------------------|
| Version | Poppet valve |
| Activation | pneumatically |
| Flow rate value Qn | 13620 l/min |
| Working pressure min./max. | See table below |
| Control pressure min./max. | See table below |
| Ambient temperature min./max. | See table below |
| Medium temperature min./max. | See table below |
| Medium | Compressed air |
| Max. particle size | 5 µm |
| Oil content of compressed air | 0 ... 5 mg/m ³ |
| Weight | 1.8 kg |



Technical data

| Part No. | Compressed air connection | | Working pressure min./max. |
|------------|---------------------------|--------|----------------------------|
| | Input | Output | |
| 5672010000 | G 1 | G 1 | -1 ... 10 bar |
| 5672310000 | G 1 | G 1 | -1 ... 30 bar |
| 5672510000 | G 1 | G 1 | -1 ... 10 bar |

| Part No. | Control pressure min./max. | Ambient temperature min./max. | Medium temperature min./max. | |
|------------|----------------------------|-------------------------------|------------------------------|----|
| 5672010000 | 3.5 ... 10 bar | -20 ... 70 °C | -20 ... 70 °C | - |
| 5672310000 | 5.5 ... 10 bar | -20 ... 70 °C | -20 ... 70 °C | 1) |
| 5672510000 | 3.5 ... 10 bar | -20 ... 120 °C | -20 ... 120 °C | 2) |

Nominal flow Qn at 6 bar and $\Delta p = 1$ bar

1) The valves are available either with "pressurizing" or "exhaust" function. The 30 bar version can only be switched to "pressurizing" mode.

2) Seal: Fluorocautchouc

Technical information

The min. control pressure must be adhered to, since otherwise faulty switching and valve failure may result!

The pressure dew point must be at least 15 °C under ambient and medium temperature and may not exceed 3 °C .

The oil content of compressed air must remain constant during the life cycle.

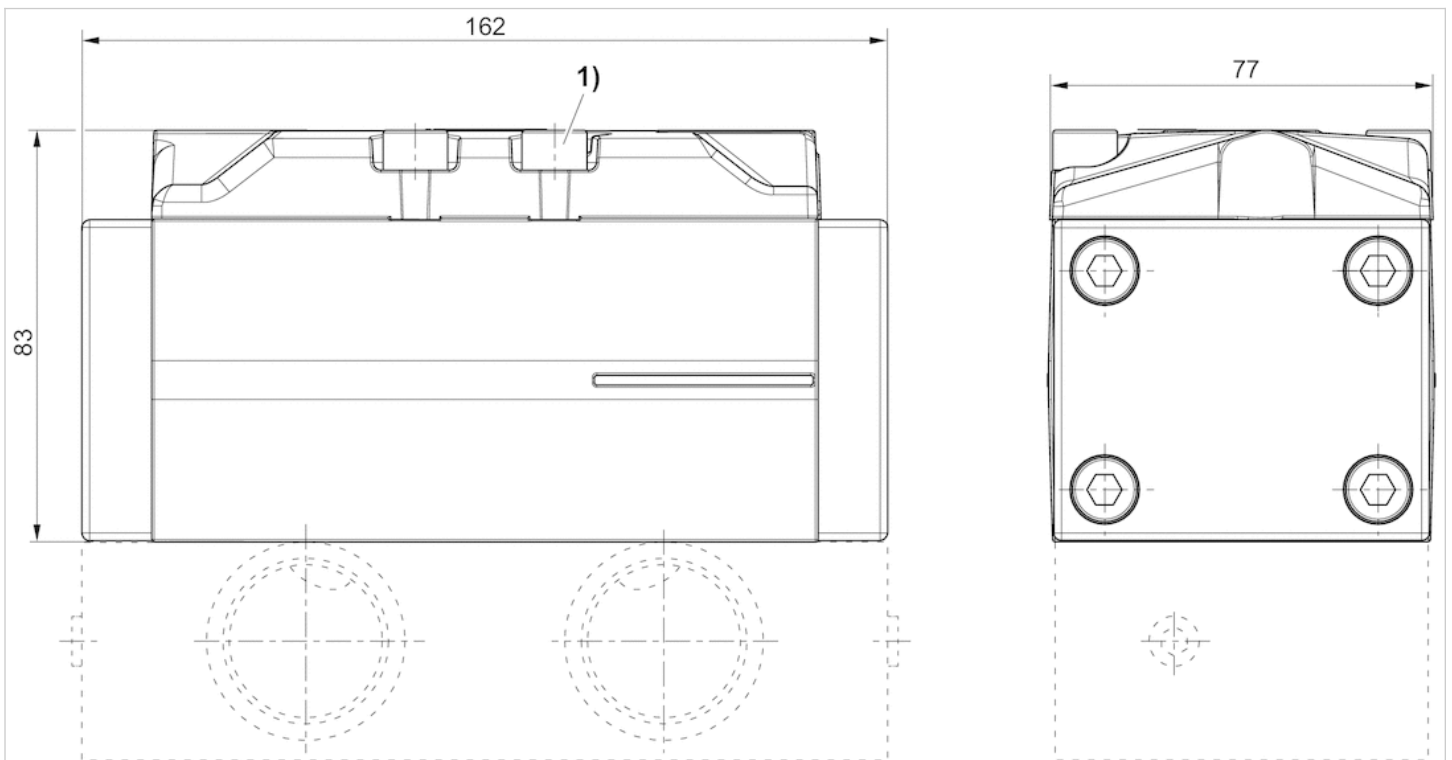
Use only the approved oils from AVENTICS. Further information can be found in the "Technical information" document (available in the MediaCentre).

Technical information

| | |
|----------|---|
| Material | |
| Housing | Aluminum |
| Seals | Acrylonitrile butadiene styrene Fluorocarbon caoutchouc |

Dimensions

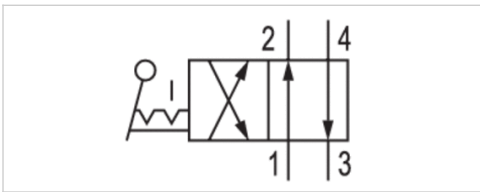
Dimensions



1) Tightening torque for mounting screws: 22 ± 2 Nm
 Base plate not included in the scope of delivery

4/2-directional valve, Series 563 018

- Qn = 300 l/min
- Compressed air connection output G 1/8
- single solenoid
- Pipe connection



| | |
|-------------------------------|---------------------------|
| Version | Poppet valve |
| Activation | Mechanical |
| Lock type | not lockable |
| Actuating element | Hand lever, with detent |
| Switching principle | 4/2 |
| Sealing principle | Soft sealing |
| Nominal flow Qn | 300 l/min |
| Working pressure min./max. | 0 ... 10 bar |
| Ambient temperature min./max. | -25 ... 80 °C |
| Medium temperature min./max. | -25 ... 80 °C |
| Medium | Compressed air |
| Max. particle size | 50 µm |
| Oil content of compressed air | 0 ... 5 mg/m ³ |
| Weight | 0.24 kg |

Technical data

| Part No. | Compressed air connection type | Compressed air connection Input | Compressed air connection Output |
|------------|--------------------------------|---------------------------------|----------------------------------|
| 5630180100 | Internal thread | G 1/8 | G 1/8 |

| Part No. | Compressed air connection Exhaust |
|------------|-----------------------------------|
| 5630180100 | G 1/8 |

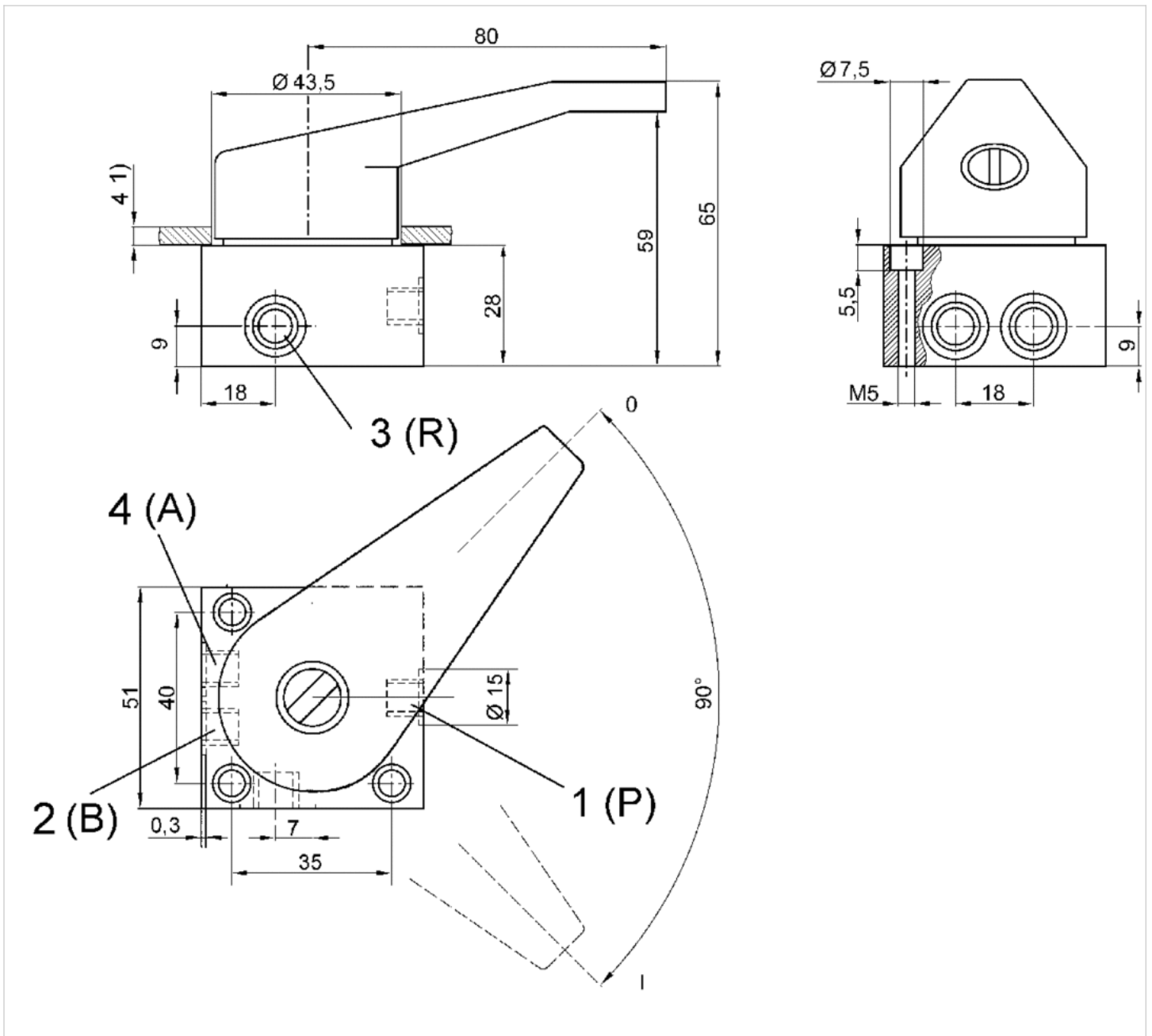
Nominal flow Qn at 6 bar and $\Delta p = 1$ bar

Technical information

| Material | |
|-------------------|--------------------------------|
| Housing | Die cast zinc |
| Seals | Acrylonitrile butadiene rubber |
| Actuating element | Polyarylamide |

Dimensions

Dimensions



1) Max.

Pos. 0: port 1 ▶ port 4, port 2 ▶ port 3

pos. I: port 1 ▶ port 2, port 4 ▶ port 3


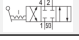
4/3-directional valve, Series 563 018

- Qn = 300 l/min
- Compressed air connection output G 1/8
- single solenoid
- Pipe connection



| | |
|-------------------------------|---------------------------|
| Version | Poppet valve |
| Activation | Mechanical |
| Lock type | not lockable |
| Actuating element | Hand lever, with detent |
| Switching principle | 4/3 |
| Sealing principle | Soft sealing |
| Nominal flow Qn | 300 l/min |
| Working pressure min./max. | 0 ... 10 bar |
| Ambient temperature min./max. | -25 ... 80 °C |
| Medium temperature min./max. | -25 ... 80 °C |
| Medium | Compressed air |
| Max. particle size | 50 µm |
| Oil content of compressed air | 0 ... 5 mg/m ³ |
| Weight | 0.24 kg |

Technical data

| Part No. | | Version | Compressed air connection type | Compressed air connection Input |
|------------|---|------------------|--------------------------------|---------------------------------|
| 5630181100 |  | exhausted center | Internal thread | G 1/8 |
| 5630182100 |  | closed center | Internal thread | G 1/8 |

| Part No. | Compressed air connection Output | Compressed air connection Exhaust |
|------------|----------------------------------|-----------------------------------|
| 5630181100 | G 1/8 | G 1/8 |
| 5630182100 | G 1/8 | G 1/8 |

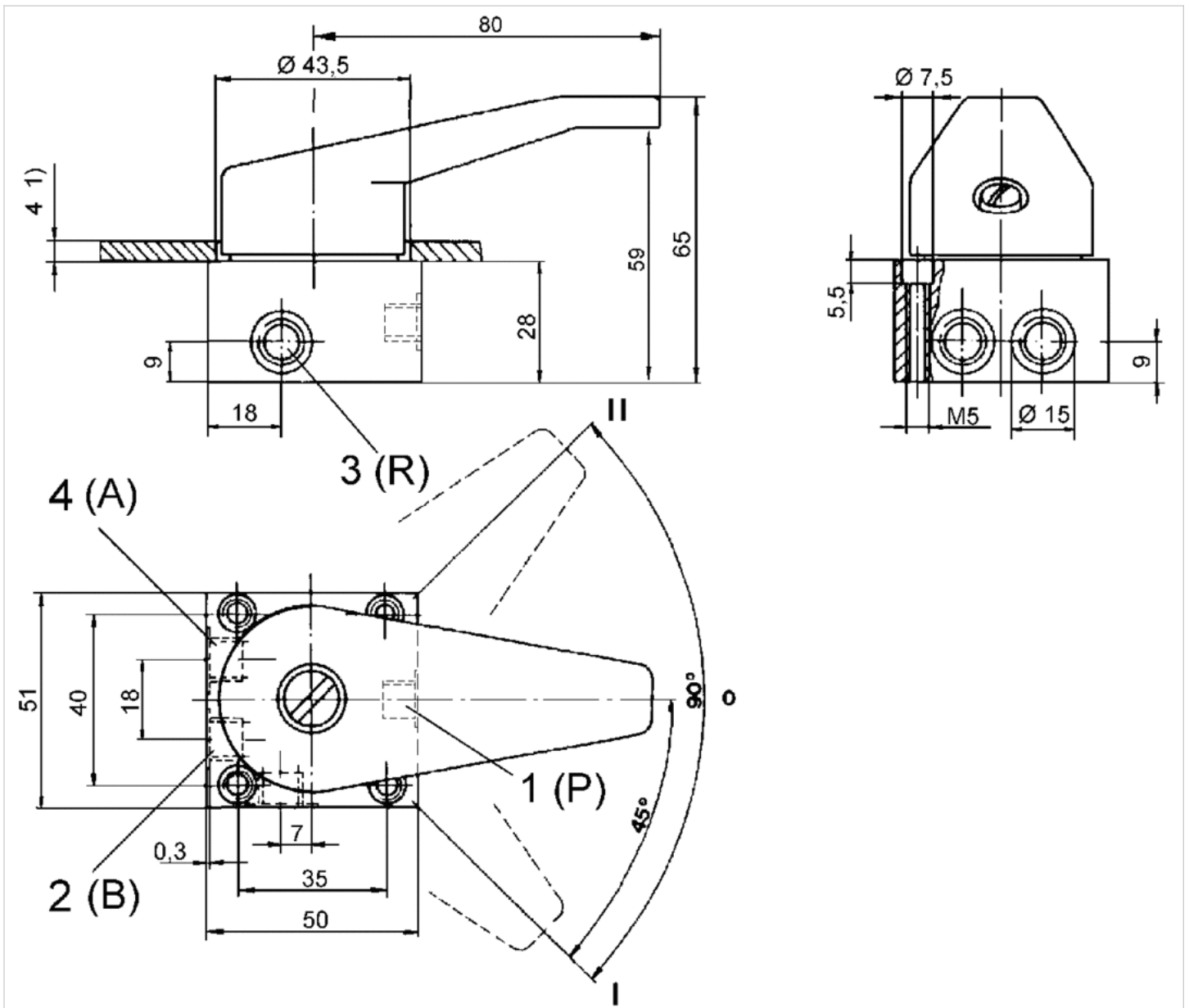
Nominal flow Qn at 6 bar and $\Delta p = 1$ bar

Technical information

| Material | |
|-------------------|--------------------------------|
| Housing | Die cast zinc |
| Seals | Acrylonitrile butadiene rubber |
| Actuating element | Polyarylamide |

Dimensions

Dimensions



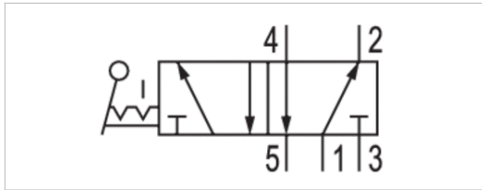
- 1) Max.
 item 0 (5630181100): port 2, 4 ▶ 3
 item 0 (5630182100): closed center
 item I: port 1 ▶ port 2, port 4 ▶ port 3
 item II: port 1 ▶ port 4, port 2 ▶ port 3

5/2-directional valve, Series 563 131

- Qn = 1100 l/min
- Compressed air connection output G 1/4
- single solenoid
- Pipe connection



| | |
|-------------------------------|-------------------------|
| Version | Poppet valve |
| Activation | Mechanical |
| Lock type | not lockable |
| Actuating element | Hand lever, with detent |
| Switching principle | 5/2 |
| Sealing principle | Soft sealing |
| Nominal flow Qn | 1100 l/min |
| Working pressure min./max. | 0 ... 10 bar |
| Ambient temperature min./max. | -25 ... 80 °C |
| Medium temperature min./max. | -25 ... 80 °C |
| Medium | Compressed air |
| Max. particle size | 50 µm |
| Oil content of compressed air | 0 ... 5 mg/m³ |
| Weight | 0.71 kg |



Technical data

| Part No. | Compressed air connection type | Compressed air connection Input | Compressed air connection Output |
|------------|--------------------------------|---------------------------------|----------------------------------|
| 5631310100 | Internal thread | G 1/4 | G 1/4 |

| Part No. | Compressed air connection Exhaust |
|------------|-----------------------------------|
| 5631310100 | G 1/4 |

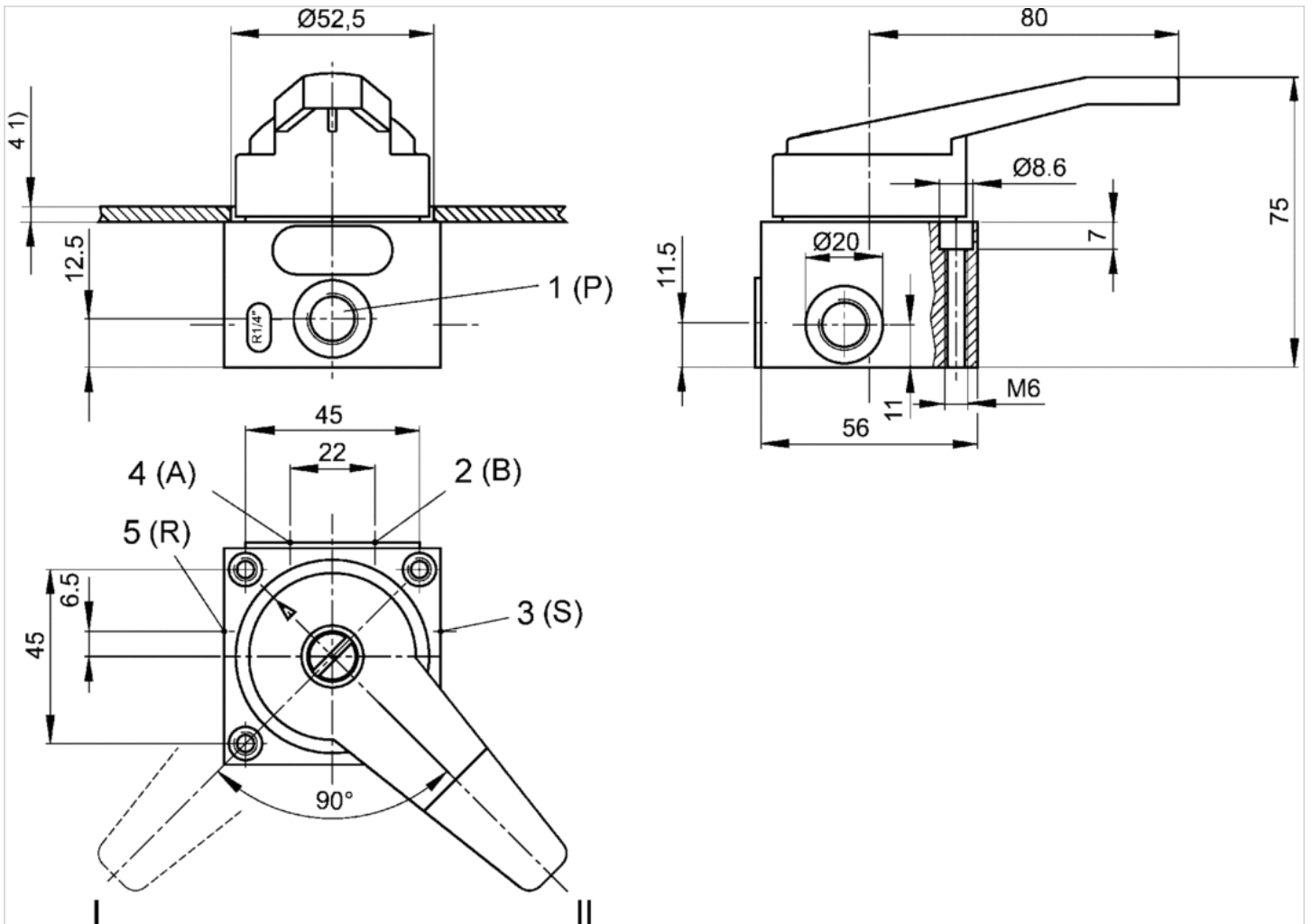
Nominal flow Qn at 6 bar and Δp = 1 bar

Technical information

| Material | |
|-------------------|--------------------------------|
| Housing | Die cast zinc |
| Seals | Acrylonitrile butadiene rubber |
| Actuating element | Polyarylamide |

Dimensions

Dimensions



1) Max.

Pos. I: port 1 ▶ port 4, port 2 ▶ port 3

pos. II: port 1 ▶ port 2, port 4 ▶ port 5


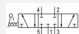
5/3-directional valve, Series 563 131

- Qn = 1100 l/min
- Compressed air connection output G 1/4
- single solenoid
- Pipe connection



| | |
|-------------------------------|---------------------------|
| Version | Poppet valve |
| Activation | Mechanical |
| Lock type | not lockable |
| Actuating element | Hand lever, with detent |
| Switching principle | 5/3 |
| Sealing principle | Soft sealing |
| Nominal flow Qn | 1100 l/min |
| Working pressure min./max. | 0 ... 10 bar |
| Ambient temperature min./max. | -25 ... 80 °C |
| Medium temperature min./max. | -25 ... 80 °C |
| Medium | Compressed air |
| Max. particle size | 50 µm |
| Oil content of compressed air | 0 ... 5 mg/m ³ |
| Weight | 0.71 kg |

Technical data

| Part No. | | Version | Compressed air connection type | Compressed air connection Input |
|------------|---|------------------|--------------------------------|---------------------------------|
| 5631311100 |  | exhausted center | Internal thread | G 1/4 |
| 5631312100 |  | closed center | Internal thread | G 1/4 |

| Part No. | Compressed air connection Output | Compressed air connection Exhaust |
|------------|----------------------------------|-----------------------------------|
| 5631311100 | G 1/4 | G 1/4 |
| 5631312100 | G 1/4 | G 1/4 |

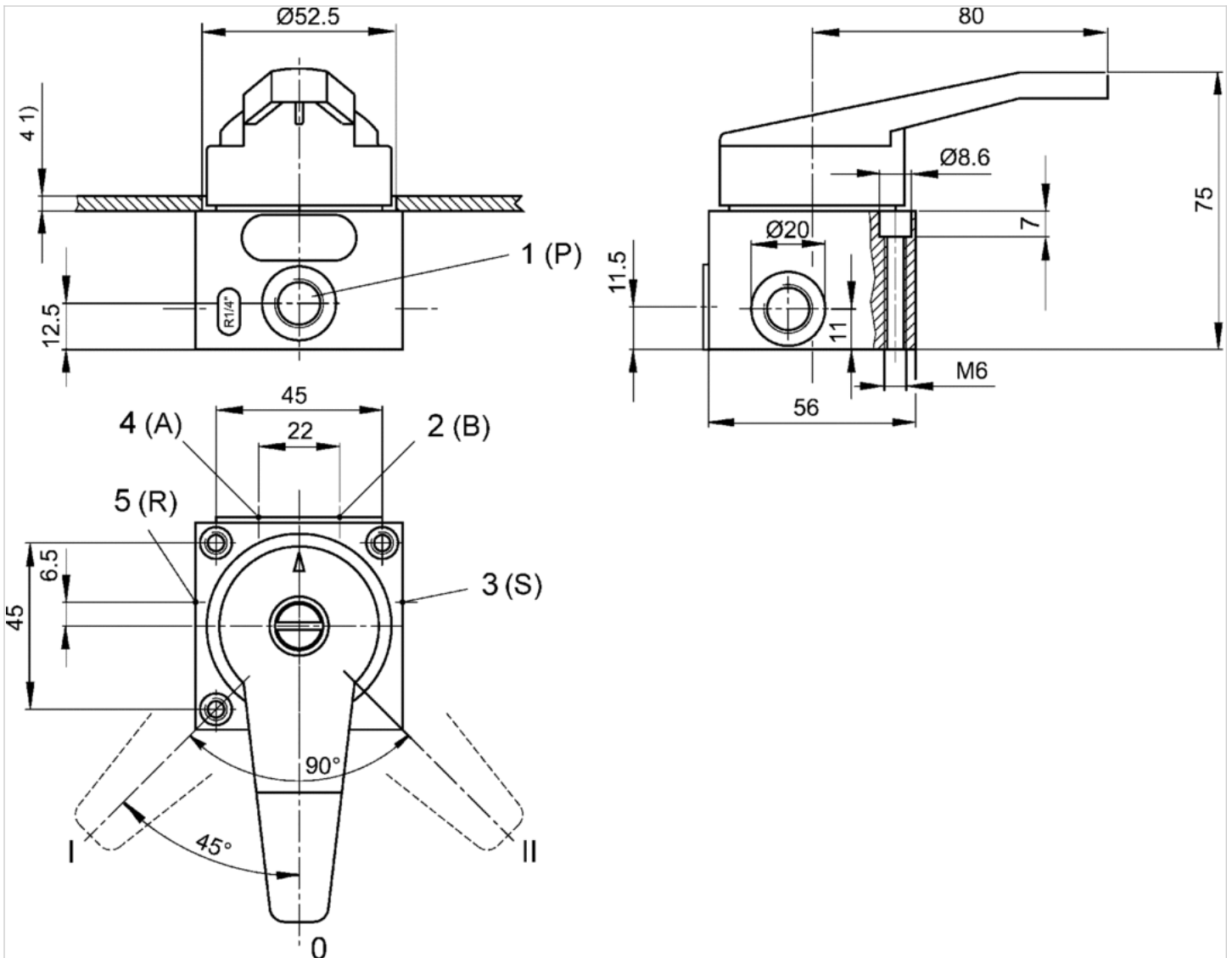
Nominal flow Qn at 6 bar and $\Delta p = 1$ bar

Technical information

| Material | |
|-------------------|--------------------------------|
| Housing | Die cast zinc |
| Seals | Acrylonitrile butadiene rubber |
| Actuating element | Polyarylamide |

Dimensions

Dimensions



- 1) Max.
- item 0 (5631311100): port 2 ▶ port 3, port 4 ▶ port 5
- item 0 (5631312100): closed center
- item I: port 1 ▶ port 4, port 2 ▶ port 3
- item II: port 4 ▶ port 5, port 1 ▶ port 2

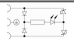


Valve plug connector, series CON-VP

- Socket, 2+E, angled, 90°
- EN 175301-803
- unshielded
- with LED Yellow Red



| | |
|----------------------------------|-----------------|
| Connection type | Screws |
| Ambient temperature min./max. | -40 ... 90 °C |
| Operational voltage | See table below |
| Protection class | IP65 |
| Mounting screw tightening torque | 0.4 Nm |
| Weight | See table below |

Technical data

| Part No. | | Operational voltage | Protective circuit | Contact assignment | LED status display |
|------------|---|---------------------|--------------------|--------------------|--------------------|
| 1834484101 |  | 24 V AC/DC | Z-diode | 2+E | Yellow |
| 1834484102 |  | 110 V AC | Varistor | 2+E | Red |
| 1834484103 |  | 230 V AC | Varistor | 2+E | Red |

| Part No. | suitable cable-Ø min./max | Seal | Weight | |
|------------|---------------------------|---------------------------------|----------|----|
| 1834484101 | 6 / 8 mm | Silicone caoutchouc | 0.03 kg | 1) |
| 1834484102 | 6 / 8 mm | caoutchouc/butadiene caoutchouc | 0.03 kg | 2) |
| 1834484103 | 6 / 8 mm | Silicone caoutchouc | 0.025 kg | 2) |

1) Flat gasket

2) Profile seal

Technical information

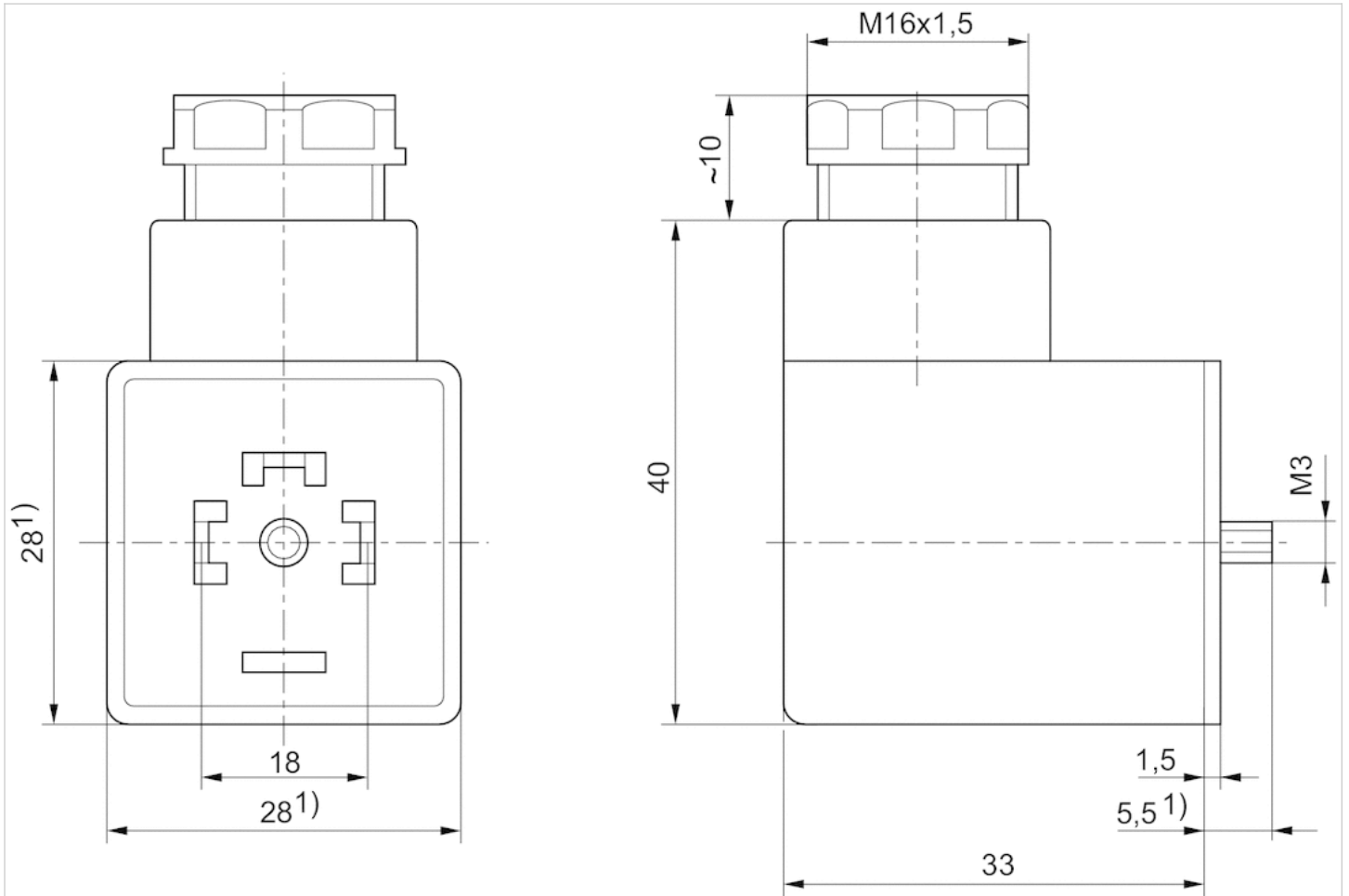
The specified protection class is only valid in assembled and tested state.

Technical information

| Material | |
|----------|---|
| Seals | Silicone caoutchouc caoutchouc/butadiene caoutchouc |

Dimensions

Dimensions



1) Max.

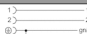


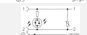

Valve plug connector, series CON-VP

- Socket form A 2+E angled 90°
- open cable ends 3-pin
- with cable
- unshielded



| | |
|----------------------------------|----------------------|
| Ambient temperature min./max. | -20 ... 80 °C |
| Operational voltage | See table below |
| Protection class | IP67 |
| Wire cross-section | 0.75 mm ² |
| Mounting screw tightening torque | 0.4 Nm |
| Weight | See table below |

Technical data

| Part No. | | Operational voltage | Protective circuit | Contact assignment | LED status display |
|------------|---|---------------------|--------------------|--------------------|--------------------|
| 1834484160 |  | 230 V AC/DC | - | 2+E | - |
| 1834484162 |  | 24 V AC/DC | Z-diode | 2+E | Yellow |
| 1834484163 |  | 24 V AC/DC | Z-diode | 2+E | Yellow |
| 1834484164 |  | 230 V AC/DC | Varistor | 2+E | Red |
| 1834484165 |  | 230 V AC/DC | Varistor | 2+E | Red |

| Part No. | Number of wires | Cable-Ø | Cable length | Weight | Fig. | |
|------------|-----------------|---------|--------------|---------|--------|----|
| 1834484160 | 3 | 5.9 mm | 3 m | 0.2 kg | Fig. 1 | 1) |
| 1834484162 | 3 | 5.9 mm | 3 m | 0.2 kg | Fig. 2 | - |
| 1834484163 | 3 | 5.9 mm | 5 m | 0.31 kg | Fig. 2 | - |
| 1834484164 | 3 | 5.9 mm | 3 m | 0.2 kg | Fig. 2 | - |
| 1834484165 | 3 | 5.9 mm | 5 m | 0.31 kg | Fig. 2 | - |

1) Scope of delivery incl. flat gasket

Technical information

The specified protection class is only valid in assembled and tested state.

Technical information

| Material | |
|--------------|---------------------------------|
| Seals | caoutchouc/butadiene caoutchouc |
| Cable sheath | Polyvinyl chloride |

Dimensions

Fig. 1

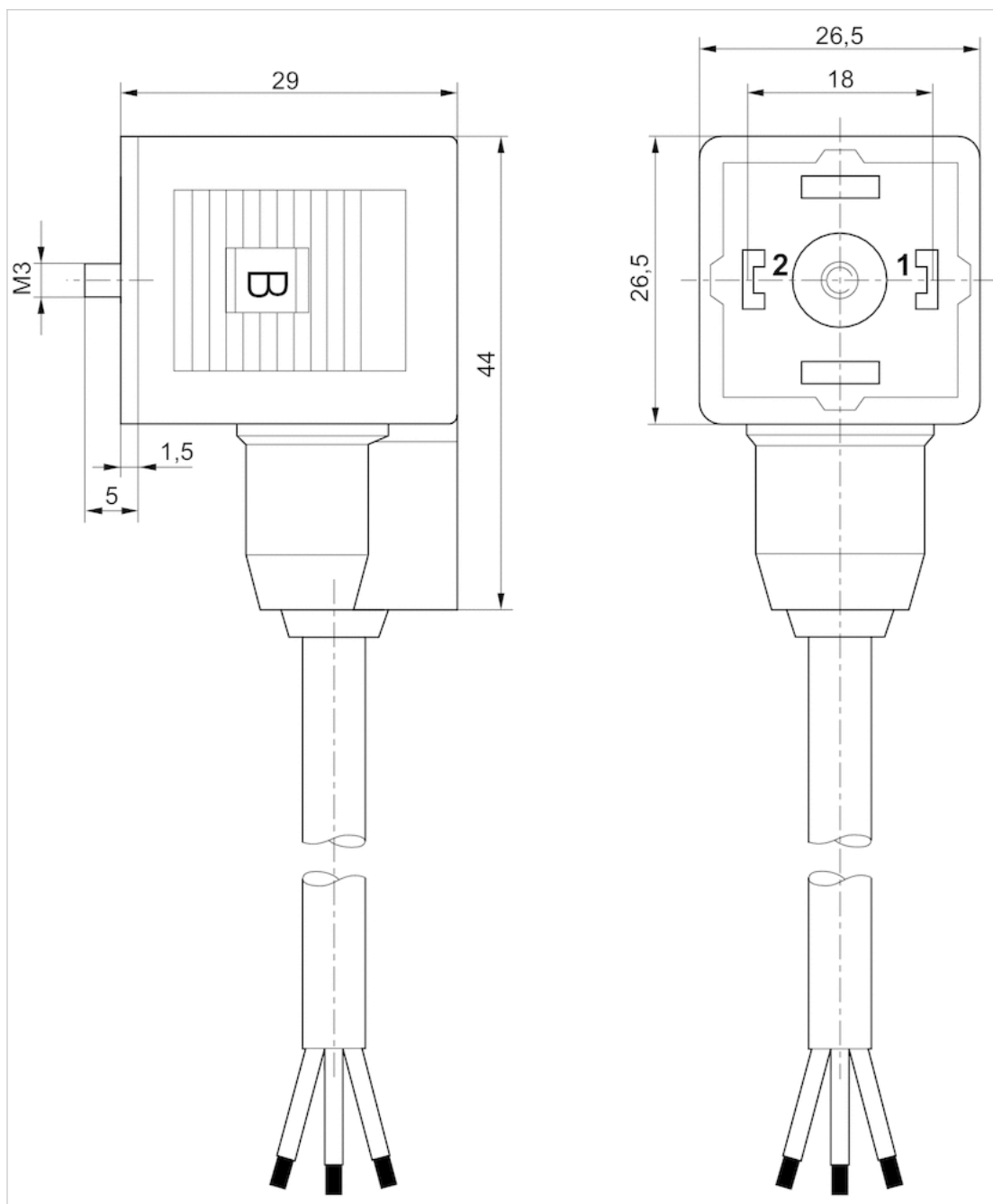
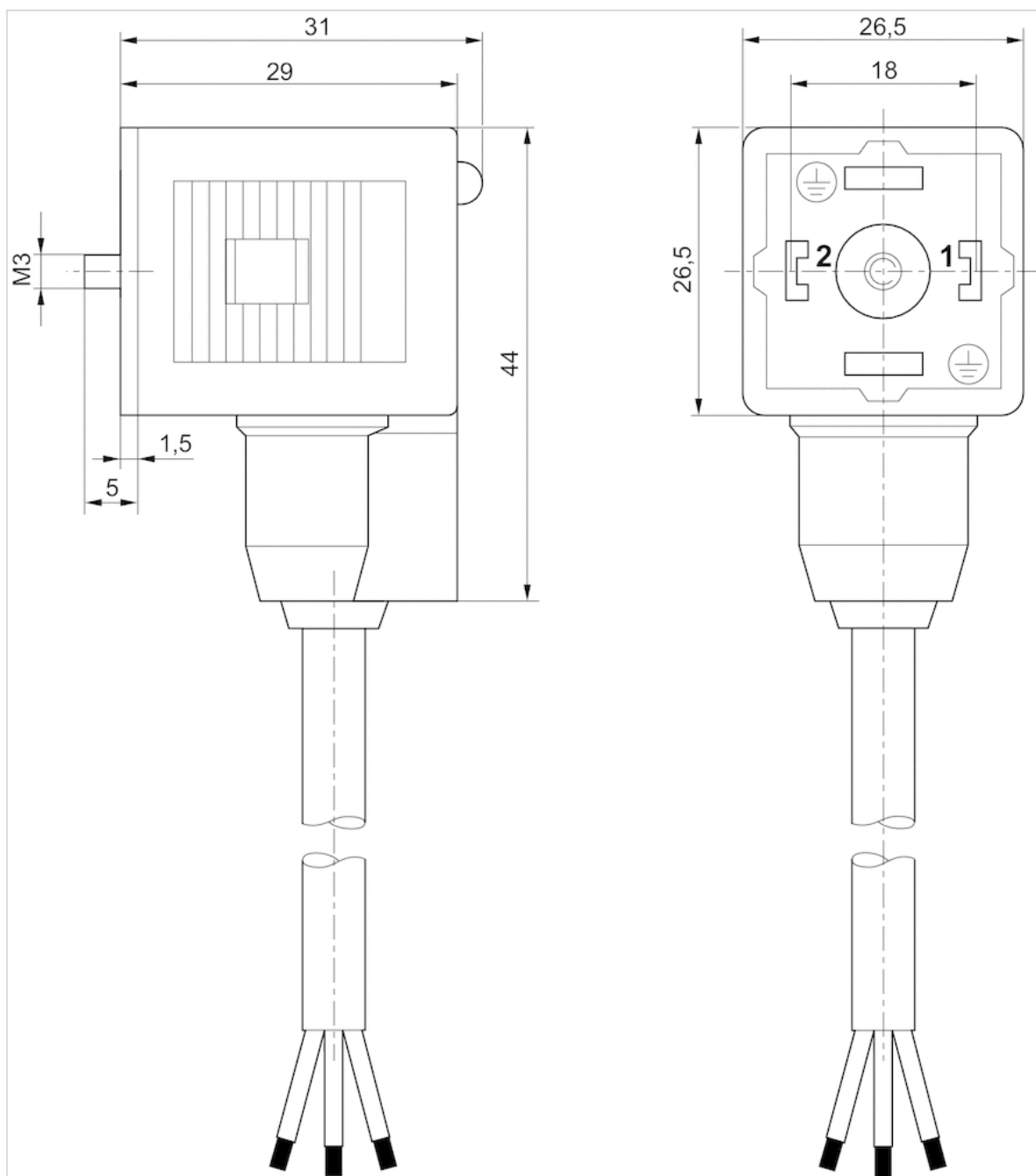


Fig. 2



Valve plug connector, series CON-VP

- Socket, Form B, industry, 2+E, angled, 90°
- Industry standard
- unshielded
- with LED Yellow Red



| | |
|----------------------------------|-----------------|
| Connection type | Screws |
| Ambient temperature min./max. | -25 ... 50 °C |
| Operational voltage | See table below |
| Protection class | IP65 |
| Mounting screw tightening torque | 0.4 Nm |
| Weight | 0.02 kg |

Technical data

| Part No. | | Operational voltage | Max. current | Protective circuit | Contact assignment |
|------------|--|---------------------|--------------|--------------------|--------------------|
| 1834484051 | | - | 10 A | - | 2+E |
| 1834484107 | | 24 V AC/DC | - | Z-diode | 2+E |
| 1834484108 | | 110 V AC | - | Varistor | 2+E |
| 1834484109 | | 230 V AC | - | Varistor | 2+E |

| Part No. | LED status display | suitable cable-Ø min./max | Seal | Fig. | |
|------------|--------------------|---------------------------|---------------------------------|--------|----|
| 1834484051 | - | 4 / 8 mm | caoutchouc/butadiene caoutchouc | Fig. 1 | 1) |
| 1834484107 | Yellow | 6 / 8 mm | Silicone caoutchouc | Fig. 2 | 2) |
| 1834484108 | Red | 6 / 8 mm | Silicone caoutchouc | Fig. 2 | 1) |
| 1834484109 | Red | 4 / 8 mm | Silicone caoutchouc | Fig. 2 | 2) |

- 1) Profile seal
- 2) Flat gasket,

Technical information

For security reasons, the valve plug connector must be plugged properly and centrally.
The specified protection class is only valid in assembled and tested state.

Technical information

| Material | |
|----------|---|
| Seals | caoutchouc/butadiene caoutchouc Silicone caoutchouc |

Dimensions

Fig. 1

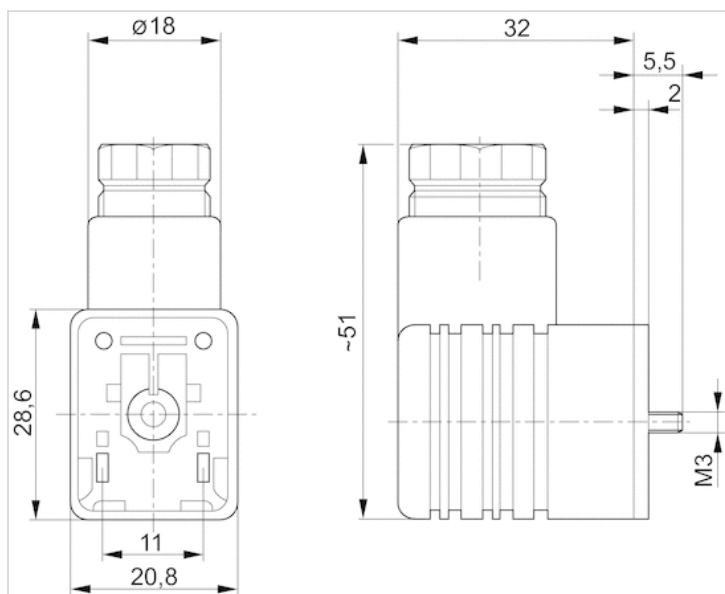
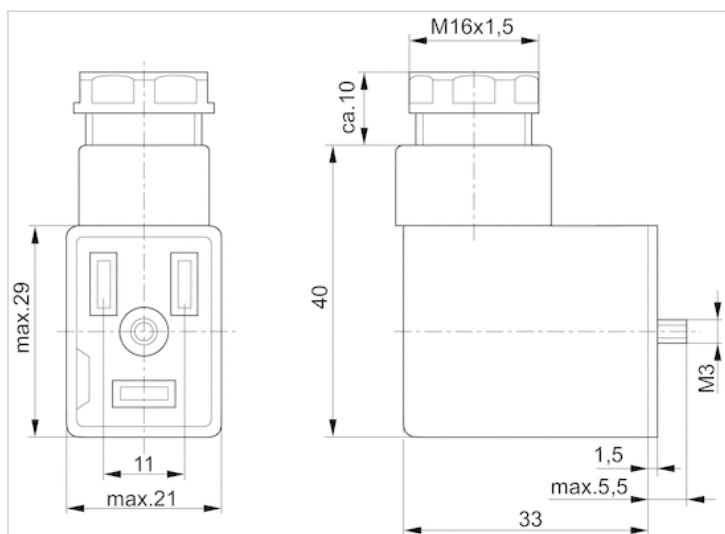


Fig. 2

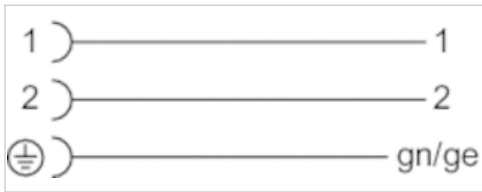


Valve plug connector, series CON-VP

- Socket Form B, industry 2+E angled 90°
- open cable ends 3-pin
- with cable
- unshielded



| | |
|----------------------------------|----------------------|
| Ambient temperature min./max. | -20 ... 80 °C |
| Protection class | IP67 |
| Wire cross-section | 0.75 mm ² |
| Mounting screw tightening torque | 0.4 Nm |
| Weight | 0.02 kg |



Technical data

| Part No. | Max. current | Contact assignment | Number of wires | Cable-Ø | Cable length |
|------------|--------------|--------------------|-----------------|---------|--------------|
| 8946201912 | 4 A | 2+E | 3 | 5.9 mm | 3 m |

Technical information

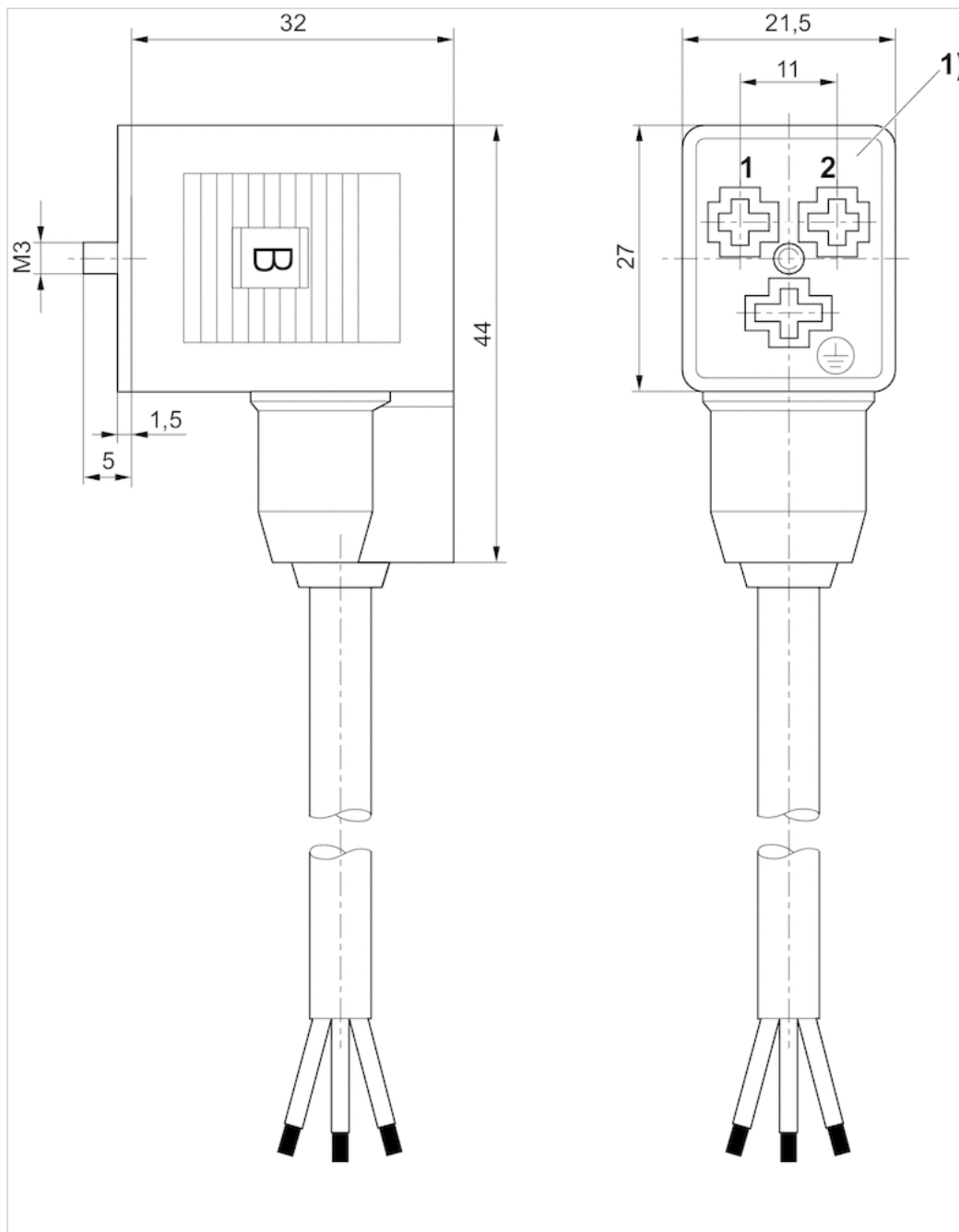
For security reasons, the valve plug connector must be plugged properly and centrally.
The specified protection class is only valid in assembled and tested state.

Technical information

| Material | |
|--------------|--------------------|
| Cable sheath | Polyvinyl chloride |

Dimensions

Dimensions



1) 0° female insert

Coil, Series C01

- Form B, industry
- Coil width 22 mm
- Power consumption DC 2-5 W
- Holding power AC 8 VA
- Switch-on power AC 10 VA



Connector standard
electrical connections
Ambient temperature min./max.
Protection class With valve plug
connector/plug
Duty cycle ED
Weight

ISO 6952
Plug, Form B, industry
50 °C
IP65

100 %
See table below

An example configuration is illustrated.
The delivered product may thus deviate
from the illustration.

Technical data

| Part No. | Operational voltage | Operational voltage | Voltage tolerance |
|------------|---------------------|---------------------|-------------------|
| | DC | AC 50 Hz | DC |
| 0498317405 | 12 V | - | - |
| 0498317502 | 24 V | - | -10% / +10% |
| 0498318800 | 24 V | - | -10% / +10% |
| 0498317618 | 48 V | - | - |
| 0498317707 | 110 V | - | -10% / +10% |
| 0498317804 | 220 V | - | -10% / +10% |
| 0498316905 | - | 24 V | - |
| 0498317006 | - | 48 V | - |
| 0498317103 | - | 110 V | - |
| 0498322506 | - | 230 V | - |

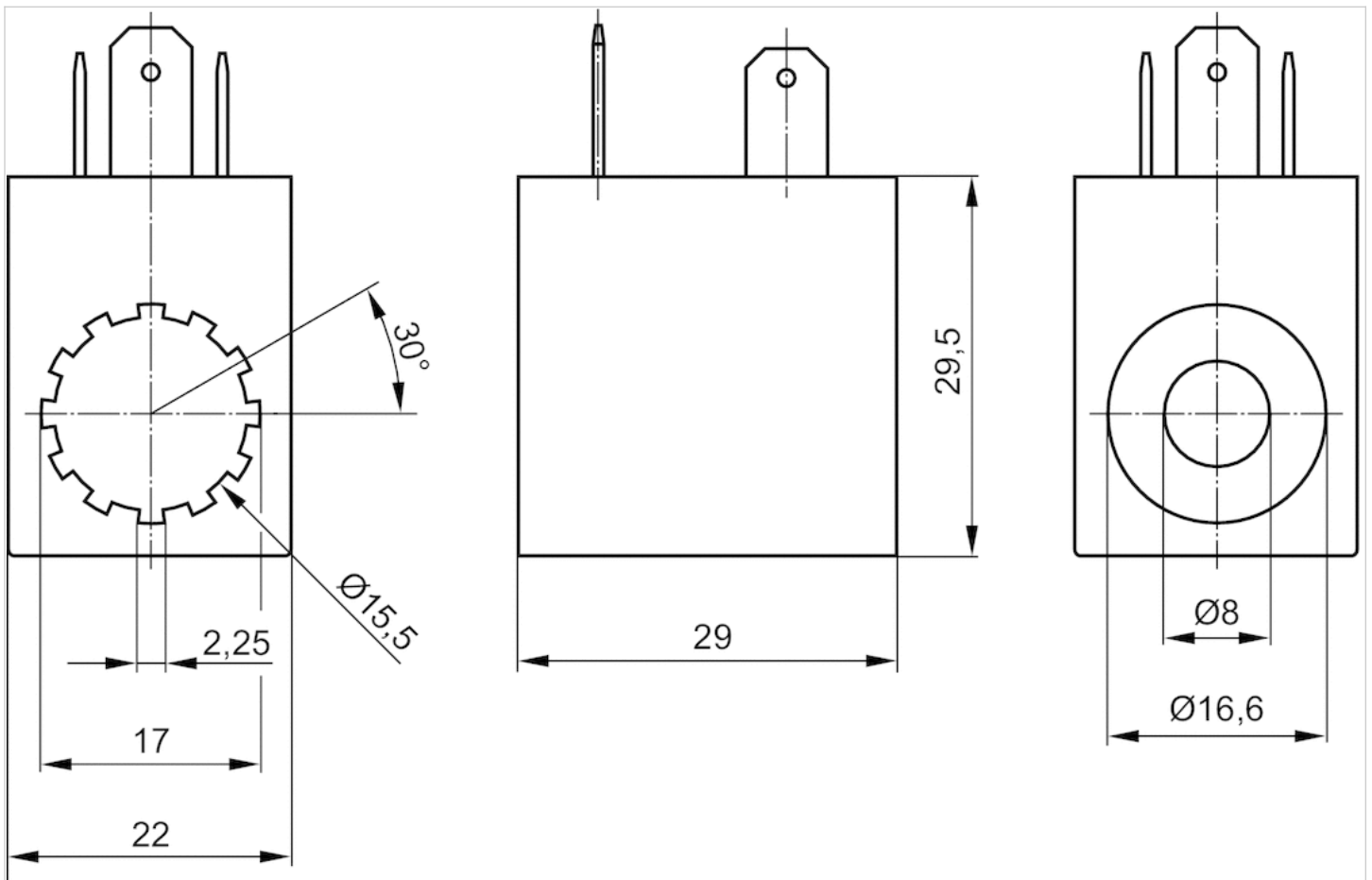
| Part No. | Voltage tolerance | Power consumption | Holding power | Switch-on power |
|------------|-------------------|-------------------|---------------|-----------------|
| | AC 50 Hz | DC | AC 50 Hz | AC 50 Hz |
| 0498317405 | - | 5 W | - | - |
| 0498317502 | - | 5 W | - | - |
| 0498318800 | - | 2 W | - | - |
| 0498317618 | - | 5 W | - | - |
| 0498317707 | - | 5 W | - | - |
| 0498317804 | - | 5 W | - | - |
| 0498316905 | -10% / +10% | - | 8 VA | 10 VA |
| 0498317006 | -10% / +10% | - | 8 VA | 10 VA |
| 0498317103 | -10% / +10% | - | 8 VA | 10 VA |
| 0498322506 | -10% / +10% | - | 8 VA | 10 VA |

| Part No. | Weight | |
|------------|----------|----|
| 0498317405 | 0.054 kg | - |
| 0498317502 | 0.051 kg | - |
| 0498318800 | 0.051 kg | 1) |
| 0498317618 | 0.054 kg | - |
| 0498317707 | 0.054 kg | - |
| 0498317804 | 0.054 kg | - |
| 0498316905 | 0.054 kg | - |
| 0498317006 | 0.054 kg | - |
| 0498317103 | 0.051 kg | - |
| 0498322506 | 0.054 kg | - |

1) Low power consumption

Dimensions

Dimensions

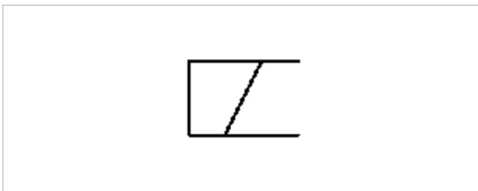


Coil, Series C01

- form A
- Coil width 30 mm
- Power consumption DC 10 W
- Holding power AC 17 VA
- Switch-on power AC 30 VA



| | |
|---|-----------------------|
| Connector standard | EN 175301-803, form A |
| electrical connections | Plug, 3-pin |
| Ambient temperature min./max. | -20 ... 50 °C |
| Protection class With valve plug connector/plug | IP65 |
| Duty cycle ED | 100 % |
| Compatibility index | 33 |



Technical data

| Part No. | Operational voltage | Operational voltage | Operational voltage |
|------------|---------------------|---------------------|---------------------|
| | DC | AC 50 Hz | AC 60 Hz |
| 0498320503 | 12 V | - | - |
| 0498319718 | 24 V | - | - |
| 0498320406 | 48 V | - | - |
| 0498320309 | 110 V | - | - |
| 0498320201 | 220 V | - | - |
| 0498319807 | - | 24 V | 24 V |
| 0498319904 | - | 110 V | 110 V |
| 0498322409 | - | 230 V | 230 V |

| Part No. | Voltage tolerance | Voltage tolerance | Voltage tolerance | Power consumption |
|------------|-------------------|-------------------|-------------------|-------------------|
| | DC | AC 50 Hz | AC 60 Hz | DC |
| 0498320503 | -10% / +10% | - | - | 10 W |
| 0498319718 | -10% / +10% | - | - | 10 W |
| 0498320406 | -10% / +10% | - | - | 10 W |
| 0498320309 | -10% / +10% | - | - | 10 W |
| 0498320201 | -10% / +10% | - | - | 10 W |
| 0498319807 | - | -10% / +10% | -10% / +10% | - |
| 0498319904 | - | -10% / +10% | -10% / +10% | - |
| 0498322409 | - | -10% / +10% | -10% / +10% | - |

| Part No. | Holding power | Holding power | Switch-on power | Switch-on power |
|------------|---------------|---------------|-----------------|-----------------|
| | AC 50 Hz | AC 60 Hz | AC 50 Hz | AC 60 Hz |
| 0498320503 | - | - | - | - |
| 0498319718 | - | - | - | - |
| 0498320406 | - | - | - | - |
| 0498320309 | - | - | - | - |
| 0498320201 | - | - | - | - |
| 0498319807 | 17 VA | 14.5 VA | 30 VA | 25 VA |
| 0498319904 | 17 VA | 14.5 VA | 30 VA | 25 VA |
| 0498322409 | 17 VA | 14.5 VA | 30 VA | 25 VA |

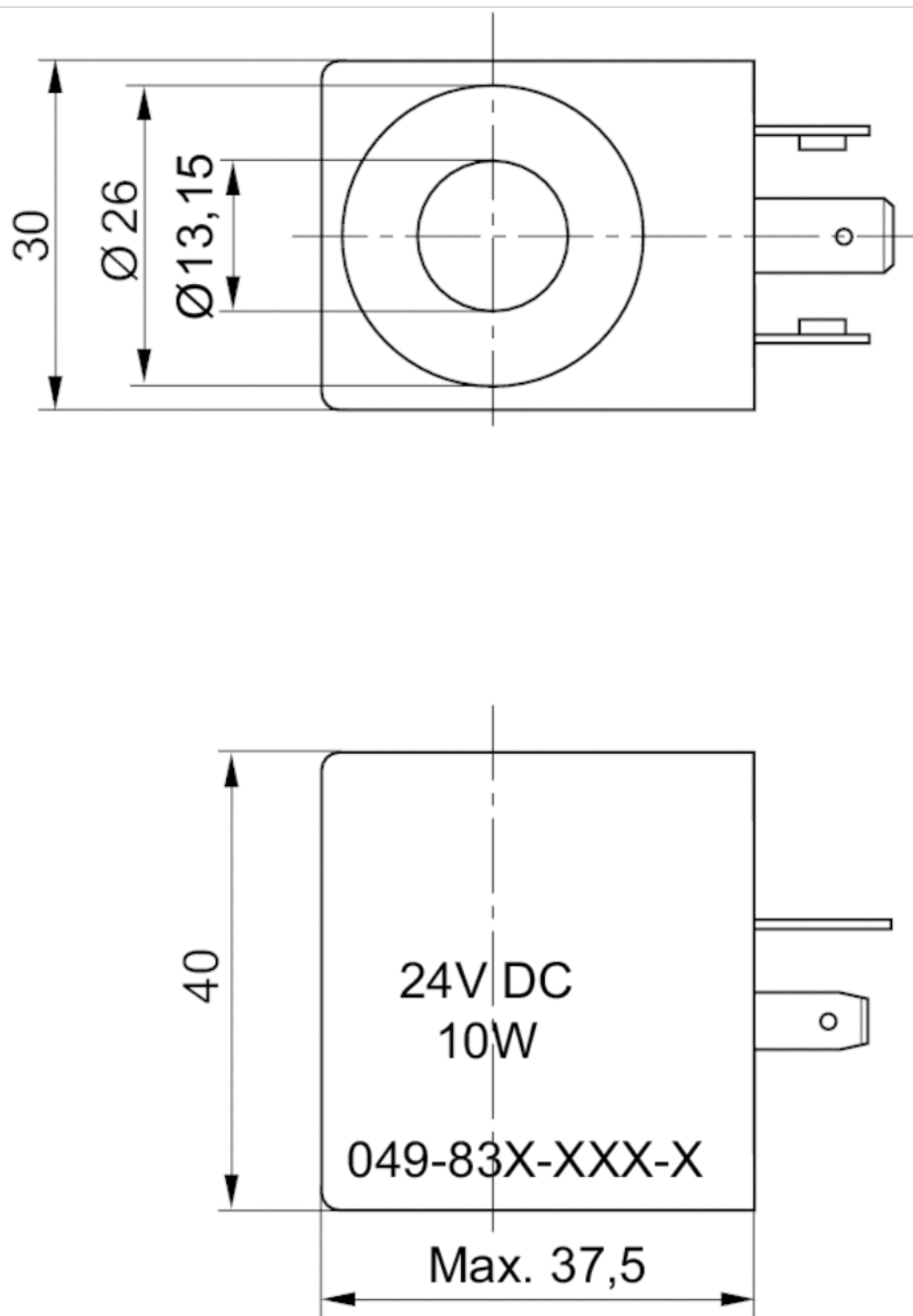
Technical information

Material

| | |
|---------|-------------------------|
| Housing | Thermoplastic elastomer |
|---------|-------------------------|

Dimensions

Dimensions

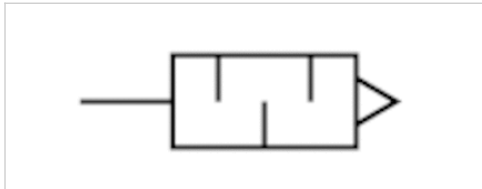


Silencers, series SI1

- G 1/4
- Sintered bronze



| | |
|-------------------------------|---|
| Working pressure min./max. | 0 ... 10 bar |
| Ambient temperature min./max. | -25 ... 80 °C |
| Medium | Compressed air |
| Sound pressure level | See table below |
| Weight | See table below |
| Comment | Flow characteristic curves can be found under "Diagrams". |



Technical data

| Part No. | Compressed air connection | Sound pressure level | Flow | Delivery unit | Weight |
|------------|---------------------------|----------------------|------------|---------------|----------|
| | | | Qn | | |
| R412004817 | G 1/4 | - | 5950 l/min | 10 piece | 0.013 kg |
| 1827000001 | G 1/4 | 79 dB | 3390 l/min | 10 piece | 0.02 kg |

Weight per piece

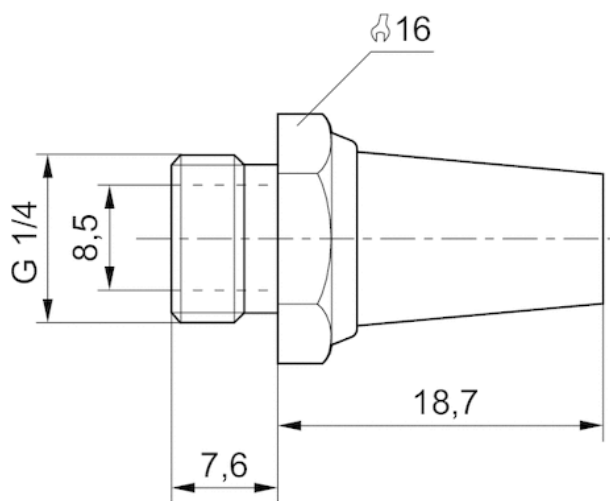
Nominal flow Qn at p1 = 6 bar (absolute) freely discharged. Sound pressure level measured at 6 bar against atmosphere at 1 m distance.

Technical information

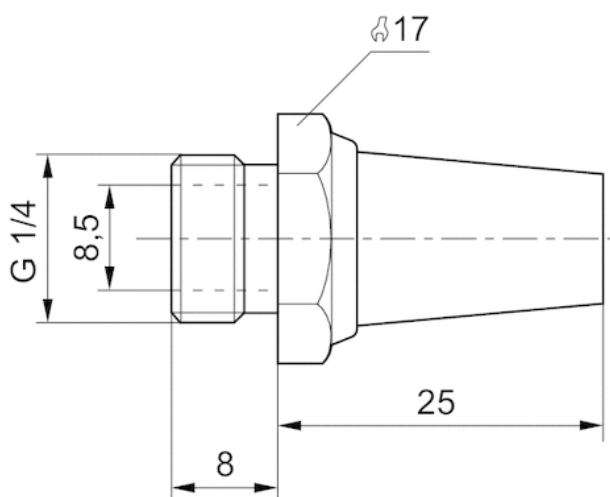
| Material | |
|----------|-----------------|
| Silencer | Sintered bronze |
| Thread | Brass |

Dimensions

Dimensions in mm



Dimensions in mm

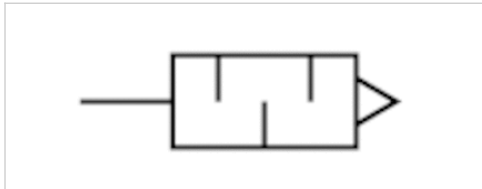


Silencers, series SI1

- G 3/8
- Sintered bronze



| | |
|-------------------------------|---|
| Working pressure min./max. | 0 ... 10 bar |
| Ambient temperature min./max. | -25 ... 80 °C |
| Medium | Compressed air |
| Sound pressure level | 84 dB |
| Weight | 0.05 kg |
| Comment | Flow characteristic curves can be found under "Diagrams". |



Technical data

| Part No. | Compressed air connection | Flow | Delivery unit |
|------------|---------------------------|------------|---------------|
| | | Qn | |
| 1827000002 | G 3/8 | 6554 l/min | 5 piece |

Weight per piece

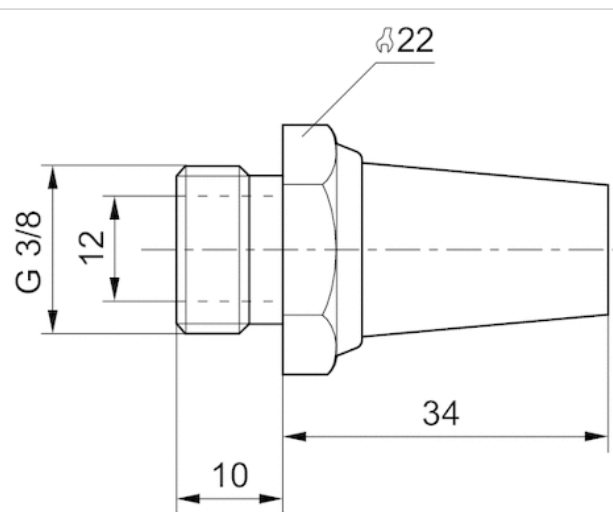
Nominal flow Qn at p1 = 6 bar (absolute) freely discharged. Sound pressure level measured at 6 bar against atmosphere at 1 m distance.

Technical information

| Material | |
|----------|-----------------|
| Silencer | Sintered bronze |
| Thread | Brass |

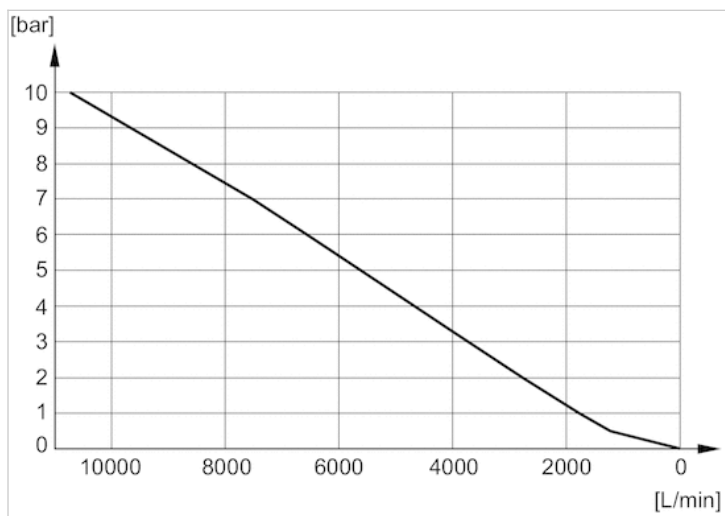
Dimensions

Dimensions in mm



Diagrams

Flow diagram, 1827000002



Silencers, series SI1

- G 1/2

- Sintered bronze



Working pressure min./max.

0 ... 10 bar

Ambient temperature min./max.

-25 ... 80 °C

Medium

Compressed air

Sound pressure level

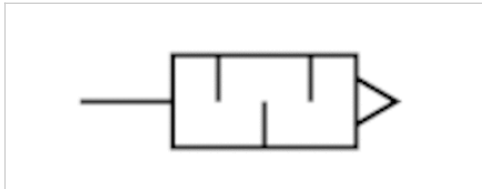
90 dB

Weight

0.08 kg

Comment

Flow characteristic curves can be found under "Diagrams".



Technical data

| Part No. | Compressed air connection | Flow | Delivery unit |
|------------|---------------------------|------------|---------------|
| | | Qn | |
| 1827000003 | G 1/2 | 7223 l/min | 2 piece |

Weight per piece

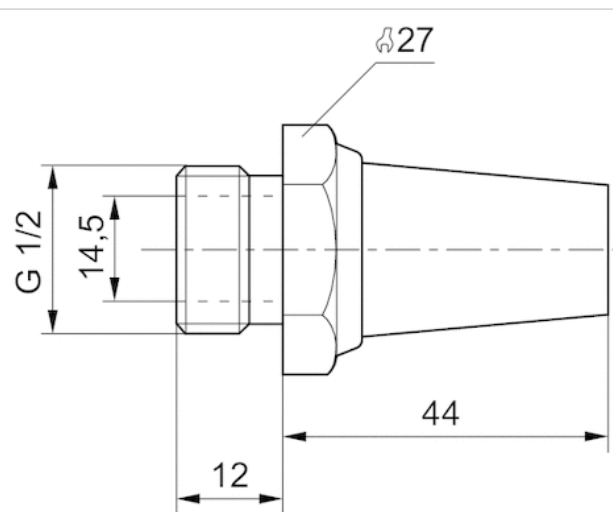
Nominal flow Qn at p1 = 6 bar (absolute) freely discharged. Sound pressure level measured at 6 bar against atmosphere at 1 m distance.

Technical information

| Material | |
|----------|-----------------|
| Silencer | Sintered bronze |
| Thread | Brass |

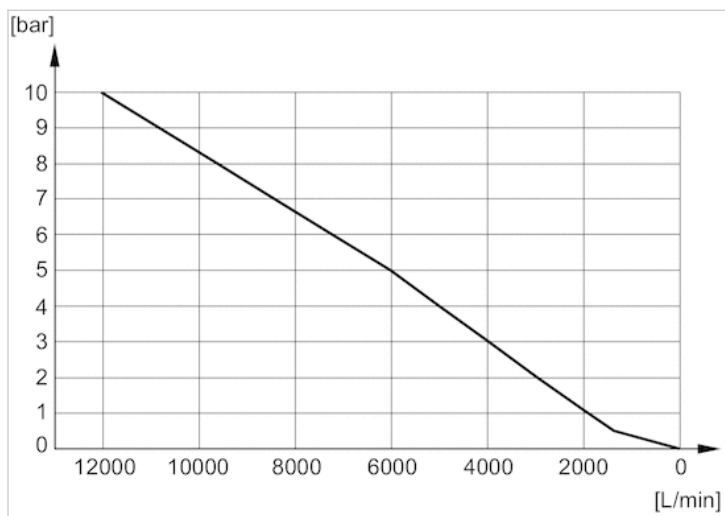
Dimensions

Dimensions in mm



Diagrams

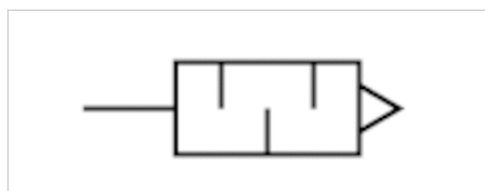
Flow diagram, 1827000003



Silencers, series SI1

- G 1/4 G 3/8 G 1/2

- Sintered bronze



Working pressure min./max.

0 ... 10 bar

Ambient temperature min./max.

-25 ... 80 °C

Medium

Compressed air

Sound pressure level

See table below

Weight

See table below

Comment

Flow characteristic curves can be found under "Diagrams".

Technical data

| Part No. | Compressed air connection | Sound pressure level | Flow | Delivery unit | Weight |
|------------|---------------------------|----------------------|------------|---------------|----------|
| | | | Qn | | |
| 1827000033 | G 1/4 | 88 dB | 1116 l/min | 10 piece | 0.01 kg |
| 1827000034 | G 3/8 | 90 dB | 1706 l/min | 5 piece | 0.016 kg |
| 1827000035 | G 1/2 | 85 dB | 2568 l/min | 2 piece | 0.035 kg |

Weight per piece

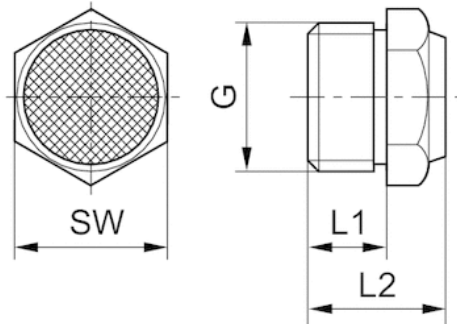
Nominal flow Qn at p1 = 6 bar (absolute) freely discharged. Sound pressure level measured at 6 bar against atmosphere at 1 m distance.

Technical information

| Material | |
|----------|-----------------|
| Silencer | Sintered bronze |
| Thread | Brass |

Dimensions

Dimensions



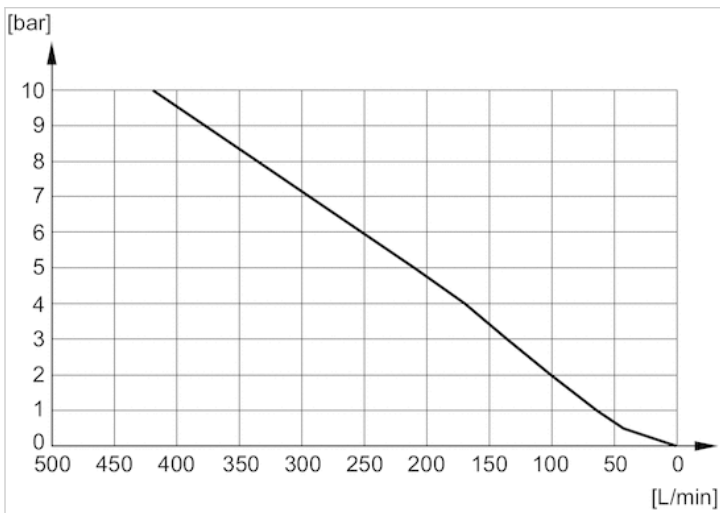
Dimensions

| Part No. | Port G | L1 | L2 | SW |
|------------|--------|----|------|----|
| 1827000033 | G 1/4 | 8 | 13.5 | 17 |
| 1827000034 | G 3/8 | 10 | 17.5 | 22 |
| 1827000035 | G 1/2 | 12 | 19.5 | 27 |

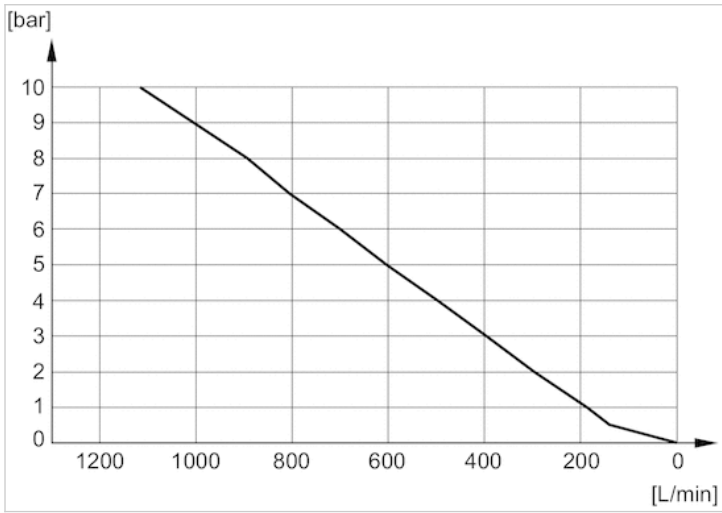
Sound pressure level measured at 6 bar at 1 m distance

Diagrams

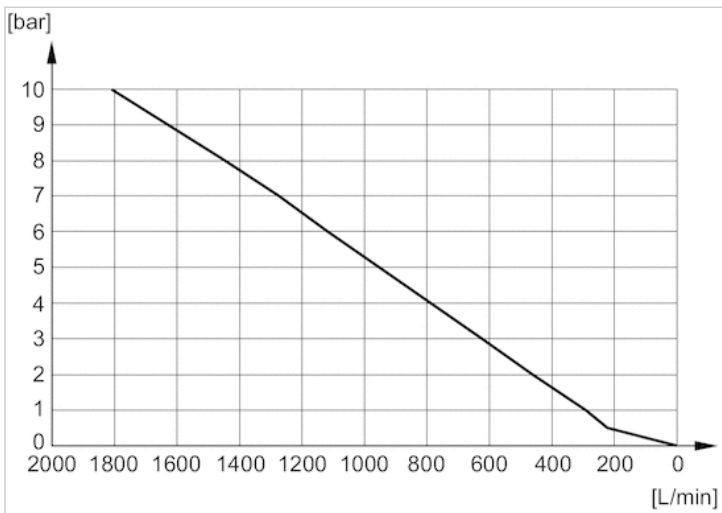
Flow diagram, 1827000032



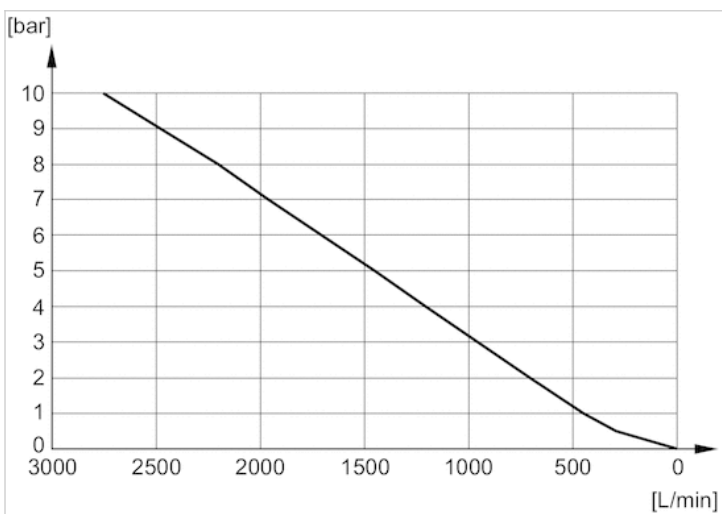
Flow diagram, 1827000031



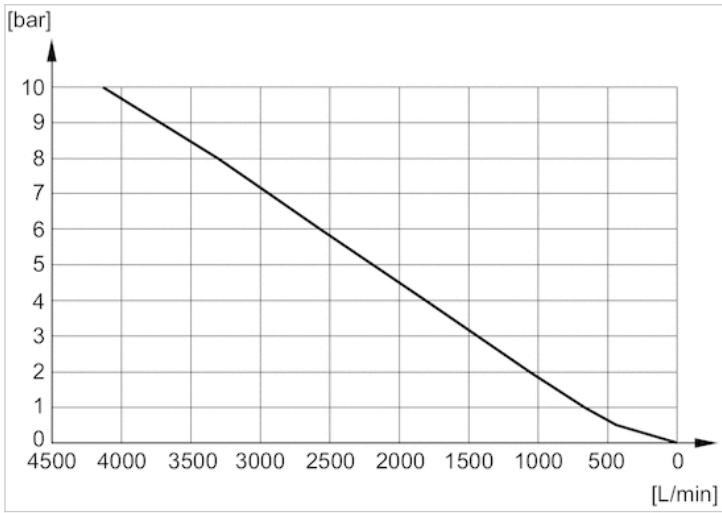
Flow diagram, 1827000033



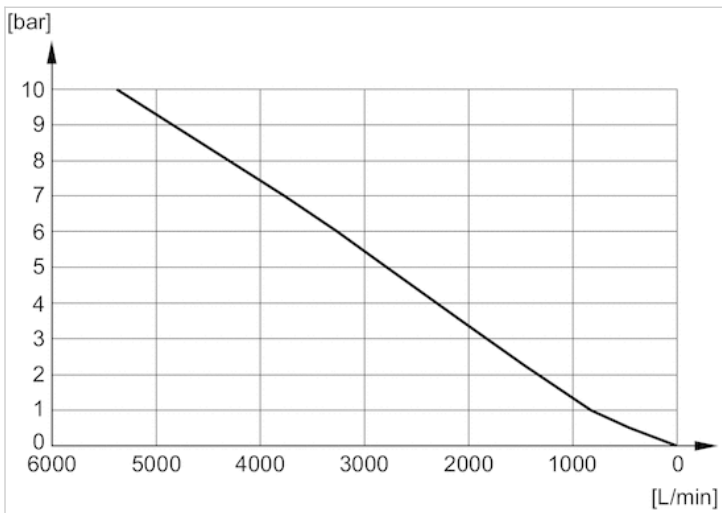
Flow diagram, 1827000034



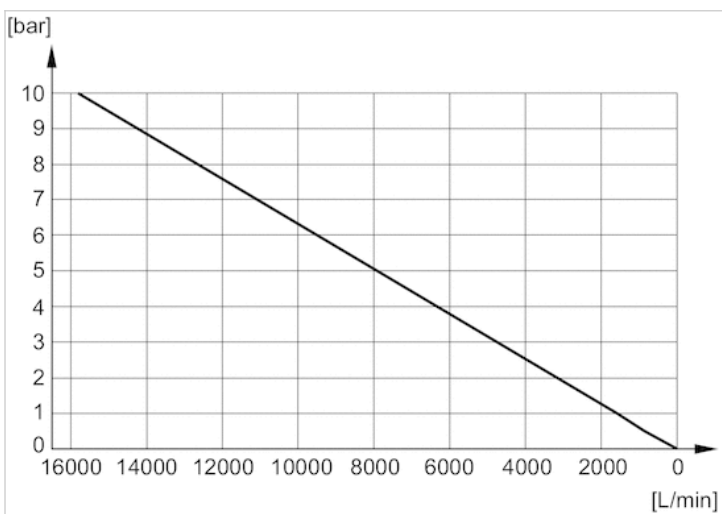
Flow diagram, 1827000035



Flow diagram, 8145003400



Flow diagram, 8145001000



Single subbase, for series 563-565

- thread connections on the bottom
- Compressed air connection output G 1/4 G 3/8 G 1/2



| | |
|-----------------------------------|-----------------|
| Working pressure min./max. | -1 ... 30 bar |
| Ambient temperature min./max. | -20 ... 120 °C |
| Medium temperature min./max. | -20 ... 120 °C |
| Medium | Compressed air |
| Number of valve positions max. | 1 |
| Direction of pneumatic port (1) | Down |
| Direction of pneumatic port (3,5) | Down |
| Direction of pneumatic port (2,4) | Down |
| Direction of pneumatic port (12) | Down |
| Direction of pneumatic port (14) | Down |
| Weight | See table below |

Technical data

| Part No. | Suitable for Series | Compressed air connection Input [1] | Compressed air connection Output [2 / 4] |
|------------|---------------------|-------------------------------------|--|
| R402003177 | 563 | G 1/4 | G 1/4 |
| 5644410000 | 565 | G 3/8 | G 3/8 |
| 5654410000 | 565 | G 1/2 | G 1/2 |

| Part No. | Compressed air connection Exhaust [3 / 5] | Compressed air connection Pilot connection [X] | Weight |
|------------|---|--|---------|
| R402003177 | G 1/4 | G 1/8 | 0.16 kg |
| 5644410000 | G 3/8 | G 1/8 | 0.39 kg |
| 5654410000 | G 1/2 | G 1/8 | 0.37 kg |

Technical information

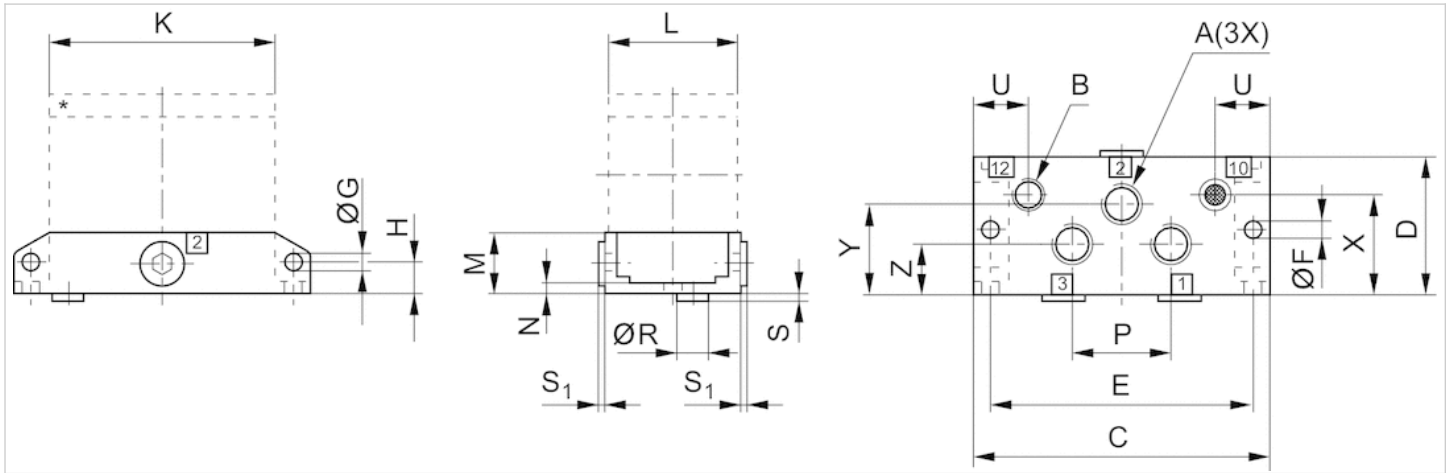
The min. control pressure must be adhered to, since otherwise faulty switching and valve failure may result!
 The pressure dew point must be at least 15 °C under ambient and medium temperature and may not exceed 3 °C .
 The oil content of compressed air must remain constant during the life cycle.
 Use only the approved oils from AVENTICS. Further information can be found in the "Technical information" document (available in the MediaCentre).

Technical information

| Material | |
|------------|----------------------------------|
| Surface | painted |
| Base plate | Die-cast aluminum, black painted |

Dimensions

Dimensions



Dimensions

| Part No. | A | B | C | D | E | F | G | H | K | L | M | N | P | R | S | S1 | U | X | Y | Z |
|------------|-------|-------|-----|----|-----|-----|-----|----|-----|----|----|---|----|----|---|-----|------|------|------|------|
| R402003177 | G 1/4 | G 1/8 | 96 | 44 | 85 | 5.3 | 5.1 | 10 | 73 | 42 | 20 | 4 | 32 | 11 | 2 | 3 | 17.5 | 28.5 | 28.5 | 15.5 |
| 5644410000 | G 3/8 | G 1/8 | 128 | 56 | 114 | 6.5 | 6.1 | 17 | 100 | 52 | 32 | 6 | 56 | 11 | 2 | 3.5 | 21.5 | 40 | 36 | 20 |
| 5654410000 | G 1/2 | G 1/8 | 128 | 56 | 114 | 6.5 | 6.1 | 17 | 100 | 52 | 32 | 6 | 56 | 11 | 2 | 3.5 | 21.5 | 40 | 36 | 20 |

Single subbase, Series 563, 565, 567

- thread connections on the side

- Compressed air connection output G 1/4 G 3/8 G 1/2 G 3/4 G 1 G 1 1/2



| | |
|-----------------------------------|-----------------|
| Working pressure min./max. | See table below |
| Ambient temperature min./max. | -20 ... 120 °C |
| Medium temperature min./max. | -20 ... 120 °C |
| Medium | Compressed air |
| Number of valve positions max. | 1 |
| Direction of pneumatic port (1) | On the side |
| Direction of pneumatic port (3,5) | On the side |
| Direction of pneumatic port (2,4) | On the side |
| Direction of pneumatic port (12) | On the side |
| Direction of pneumatic port (14) | On the side |
| Weight | See table below |

Technical data

| Part No. | Suitable for Series | Compressed air connection Input [1] | Compressed air connection Output [2 / 4] |
|------------|---------------------|-------------------------------------|--|
| 5634420000 | 563 | G 1/4 | G 1/4 |
| 5644420000 | 565 | G 3/8 | G 3/8 |
| 5654420000 | 565 | G 1/2 | G 1/2 |
| 5664420000 | 567 | G 3/4 | G 3/4 |
| 5674420000 | 567 | G 1 | G 1 |
| 5684420000 | 2x 567 | G 1 1/2 | G 1 1/2 |

| Part No. | Compressed air connection Exhaust [3 / 5] | Compressed air connection Pilot connection [X] |
|------------|---|--|
| 5634420000 | G 1/4 | G 1/8 |
| 5644420000 | G 3/8 | G 1/8 |
| 5654420000 | G 1/2 | G 1/8 |
| 5664420000 | G 3/4 | G 1/8 |
| 5674420000 | G 1 | G 1/8 |
| 5684420000 | G 1 1/2 | G 1/4 |

| Part No. | Working pressure min./max. | Weight | Fig. |
|------------|----------------------------|---------|--------|
| 5634420000 | -1 ... 30 bar | 0.13 kg | Fig. 1 |
| 5644420000 | -1 ... 30 bar | 0.37 kg | Fig. 1 |
| 5654420000 | -1 ... 30 bar | 0.32 kg | Fig. 1 |
| 5664420000 | -1 ... 30 bar | 1.1 kg | Fig. 2 |
| 5674420000 | -1 ... 42 bar | 1 kg | Fig. 2 |
| 5684420000 | -1 ... 30 bar | 3.7 kg | Fig. 3 |

Technical information

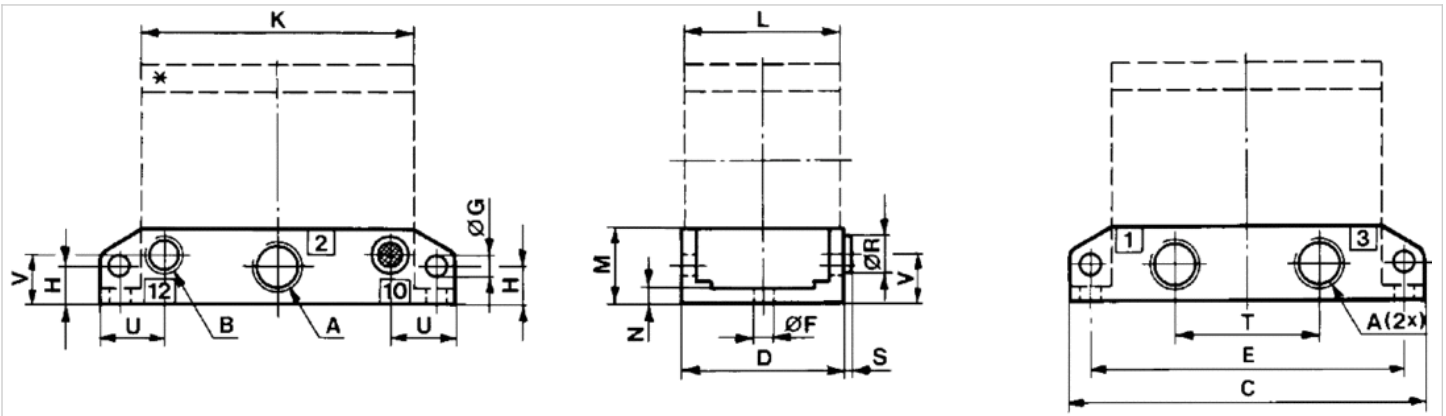
The min. control pressure must be adhered to, since otherwise faulty switching and valve failure may result!
 The pressure dew point must be at least 15 °C under ambient and medium temperature and may not exceed 3 °C .
 The oil content of compressed air must remain constant during the life cycle.
 Use only the approved oils from AVENTICS. Further information can be found in the “Technical information” document (available in the MediaCentre).

Technical information

| | |
|------------|----------------------------------|
| Material | |
| Surface | Painted |
| Base plate | Die-cast aluminum, black painted |

Dimensions

Fig. 1

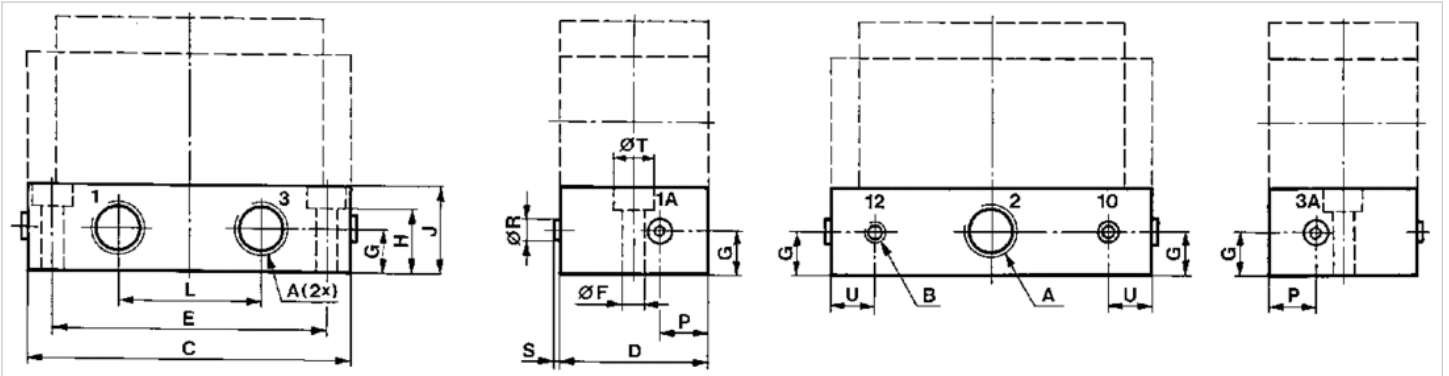


Dimensions

| Part No. | A | B | C | D | E | F | G | H | K | L | M | N | R | S | T | U | V |
|------------|-------|-------|-----|----|-----|-----|-----|----|-----|----|----|---|----|---|----|------|------|
| 5634420000 | G 1/4 | G 1/8 | 96 | 44 | 85 | 5.3 | 5.1 | 10 | 73 | 42 | 20 | 4 | 10 | 2 | 39 | 17.5 | 13 |
| 5644420000 | G 3/8 | G 1/8 | 128 | 56 | 114 | 6.5 | 6.1 | 17 | 100 | 52 | 32 | 6 | 10 | 2 | 56 | 21.5 | 23.5 |
| 5654420000 | G 1/2 | G 1/8 | 128 | 56 | 114 | 6.5 | 6.1 | 17 | 100 | 52 | 32 | 6 | 10 | 2 | 56 | 21.5 | 23.5 |

Dimensions

Fig. 2

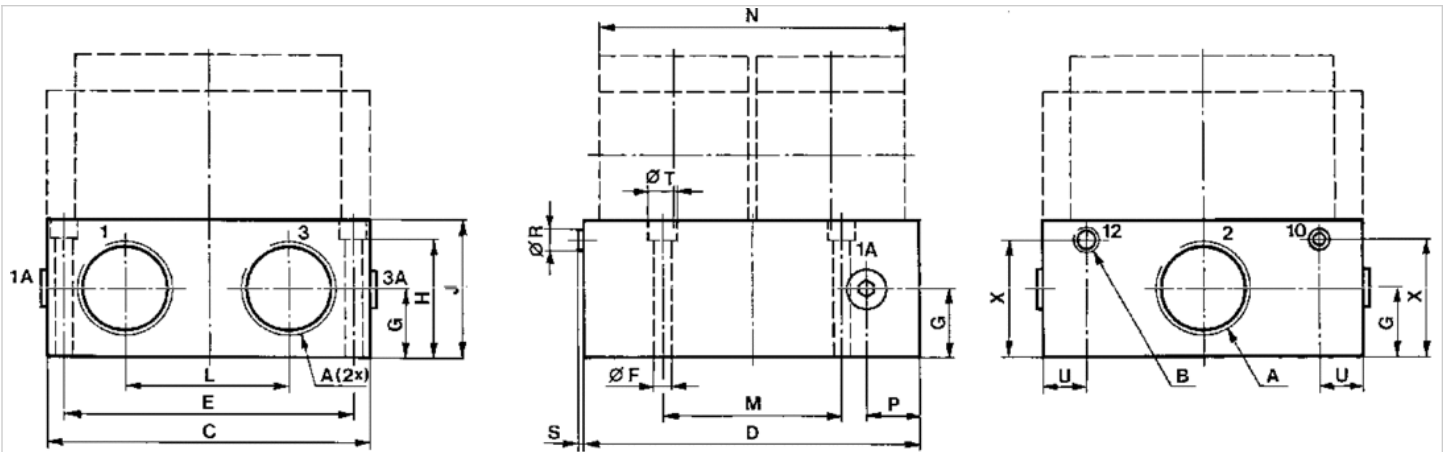


Dimensions

| Part No. | A | B | C | D | E | F | G | H | J | L | P | R | S | T | U |
|------------|-------|-------|-----|----|-----|----|----|----|----|----|----|----|---|----|----|
| 5664420000 | G 3/4 | G 1/8 | 162 | 75 | 138 | 11 | 24 | 32 | 44 | 72 | 24 | 10 | 2 | 20 | 22 |
| 5674420000 | G 1 | G 1/8 | 162 | 75 | 138 | 11 | 24 | 32 | 44 | 72 | 24 | 10 | 2 | 20 | 22 |

Dimensions

Fig. 3



Dimensions

| Part No. | A | B | C | D | E | F | G | H | J | L | M | N | P | R | S | T | U | X |
|------------|---------|-------|-----|-----|-----|---|----|----|----|----|----|-----|----|----|---|----|----|----|
| 5684420000 | G 1 1/2 | G 1/4 | 162 | 170 | 146 | 9 | 35 | 60 | 70 | 84 | 90 | 154 | 27 | 10 | 2 | 14 | 22 | 60 |

Base plate, Series 563, 565

- Compressed air connection output G 1/4 G 3/8 G 1/2
- Can be assembled into blocks



| | |
|-----------------------------------|-----------------|
| Working pressure min./max. | -1 ... 30 bar |
| Ambient temperature min./max. | -20 ... 120 °C |
| Medium temperature min./max. | -20 ... 120 °C |
| Medium | Compressed air |
| Number of valve positions max. | 1 |
| Direction of pneumatic port (2,4) | Down |
| Direction of pneumatic port (12) | Down |
| Direction of pneumatic port (14) | Down |
| Weight | See table below |

Technical data

| Part No. | Suitable for Series | Compressed air connection Input [1] | Compressed air connection Output [2 / 4] |
|------------|---------------------|-------------------------------------|--|
| 5634510000 | 563 | - | G 1/4 |
| 5644510000 | 565 | G 3/4 | G 3/8 |
| 5654510000 | 565 | - | G 1/2 |

| Part No. | Compressed air connection Exhaust [3 / 5] | Compressed air connection Pilot connection [X] | Weight |
|------------|---|--|---------|
| 5634510000 | - | G 1/8 | 0.15 kg |
| 5644510000 | G 3/4 | G 1/8 | 0.36 kg |
| 5654510000 | - | G 1/8 | 0.33 kg |

Technical information

The min. control pressure must be adhered to, since otherwise faulty switching and valve failure may result!

The pressure dew point must be at least 15 °C under ambient and medium temperature and may not exceed 3 °C .

The oil content of compressed air must remain constant during the life cycle.

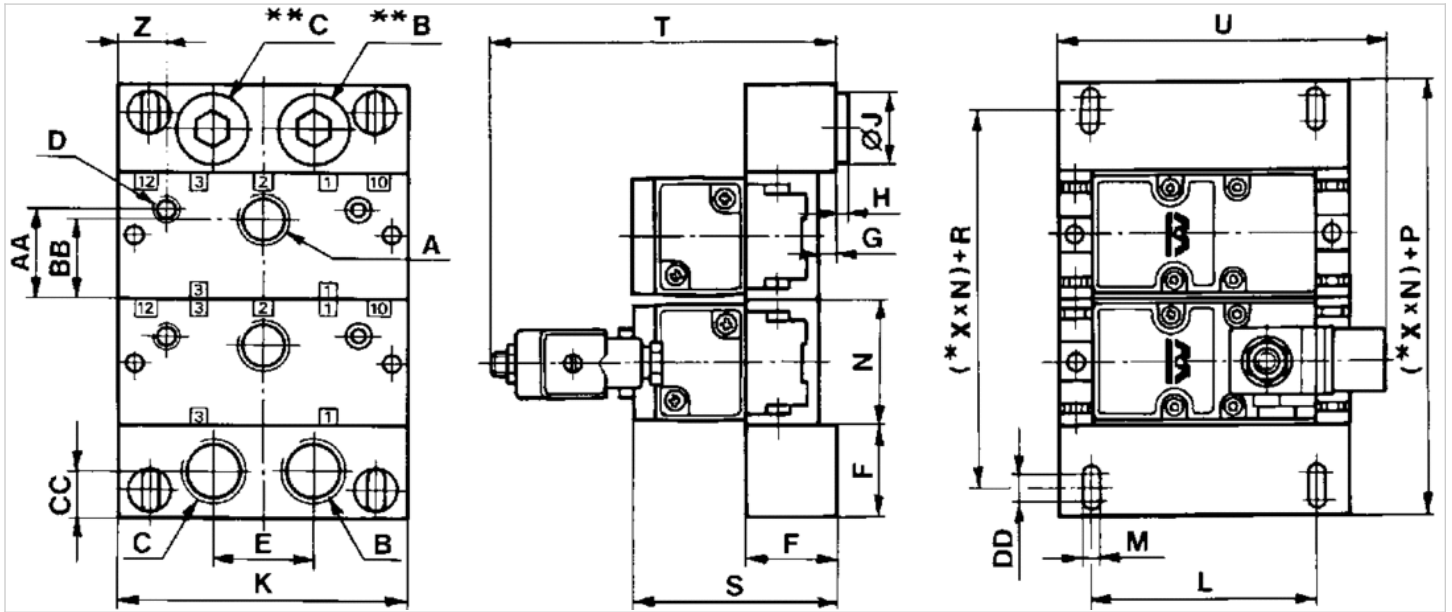
Use only the approved oils from AVENTICS. Further information can be found in the "Technical information" document (available in the MediaCentre).

Technical information

| Material | |
|------------|----------------------------------|
| Surface | painted |
| Base plate | Die-cast aluminum, black painted |
| Seal | Acrylonitrile butadiene rubber |

Dimensions

Dimensions



* N = number of subbases

** Blanking plug

Dimensions

| Part No. | A | B | C | D | E | F | G | H | J | K | L | M | N | P | R | S | T | U | Z | AA |
|------------|-------|-------|-------|-------|----|----|---|-----|----|-----|-----|-----|----|----|----|----|-----|-----|------|------|
| 5634510000 | G 1/4 | G 3/8 | G 3/8 | G 1/8 | 30 | 25 | 5 | 3 | 17 | 96 | 74 | 6.5 | 44 | 50 | 25 | 68 | 119 | 114 | 17.5 | 28.5 |
| 5644510000 | G 3/8 | G 3/4 | G 3/4 | G 1/8 | 44 | 40 | 8 | 4.5 | 27 | 128 | 100 | 7 | 56 | 80 | 56 | 90 | 159 | 135 | 21.5 | 40 |
| 5654510000 | G 1/2 | G 3/4 | G 3/4 | G 1/8 | 44 | 40 | 8 | 4.5 | 27 | 128 | 100 | 7 | 56 | 80 | 56 | 90 | 159 | 135 | 21.5 | 40 |

| BB | CC | DD | Weight |
|------|------|----|---------|
| 28.5 | 12.5 | 12 | 0.15 kg |
| 36 | 20 | 12 | 0.36 kg |
| 36 | 20 | 12 | 0.33 kg |

End plate kit, Series 563, 565

- Can be assembled into blocks



| | |
|-----------------------------------|-----------------|
| Working pressure min./max. | -1 ... 30 bar |
| Ambient temperature min./max. | -20 ... 120 °C |
| Medium temperature min./max. | -20 ... 120 °C |
| Medium | Compressed air |
| Direction of pneumatic port (1) | Down |
| Direction of pneumatic port (3,5) | Down |
| Weight | See table below |

Technical data

| Part No. | Suitable for Series | Compressed air connection Input [1] | Compressed air connection Exhaust [3 / 5] |
|------------|---------------------|-------------------------------------|---|
| 5634800000 | 563 | G 3/8 | G 3/8 |
| 5654800000 | 565 | G 3/4 | G 3/4 |

| Part No. | Delivery unit | Weight |
|------------|---------------|---------|
| 5634800000 | 2 piece | 0.34 kg |
| 5654800000 | 2 piece | 1 kg |

Scope of delivery incl. seal and mounting screws

Technical information

The min. control pressure must be adhered to, since otherwise faulty switching and valve failure may result!

The pressure dew point must be at least 15 °C under ambient and medium temperature and may not exceed 3 °C .

The oil content of compressed air must remain constant during the life cycle.

Use only the approved oils from AVENTICS. Further information can be found in the "Technical information" document (available in the MediaCentre).

Technical information

| Material | |
|----------|----------------------------------|
| Housing | Die-cast aluminum, black painted |
| Surface | painted |
| Seal | Acrylonitrile butadiene rubber |

Blanking plate, for series 563-565



| | |
|--------------------------------|-----------------|
| Working pressure min./max. | -1 ... 30 bar |
| Ambient temperature min./max. | -20 ... 120 °C |
| Medium temperature min./max. | -20 ... 120 °C |
| Medium | Compressed air |
| Number of valve positions max. | 1 |
| Weight | See table below |

Technical data

| Part No. | Suitable for Series | Weight |
|------------|---------------------|---------|
| 5634530000 | 563 | 0.07 kg |
| 5654530000 | 565 | 0.11 kg |

Scope of delivery incl. seal and mounting screws

Technical information

The min. control pressure must be adhered to, since otherwise faulty switching and valve failure may result!
 The pressure dew point must be at least 15 °C under ambient and medium temperature and may not exceed 3 °C .
 The oil content of compressed air must remain constant during the life cycle.
 Use only the approved oils from AVENTICS. Further information can be found in the "Technical information" document (available in the MediaCentre).

Technical information

| Material | |
|----------|----------------------------------|
| Housing | Die-cast aluminum, black painted |
| Surface | painted |
| Seal | Acrylonitrile butadiene rubber |

Separator

- for 563, 565



Ambient temperature min./max.

-20 ... 120 °C

Weight

See table below

The delivered product may vary from that in the illustration.

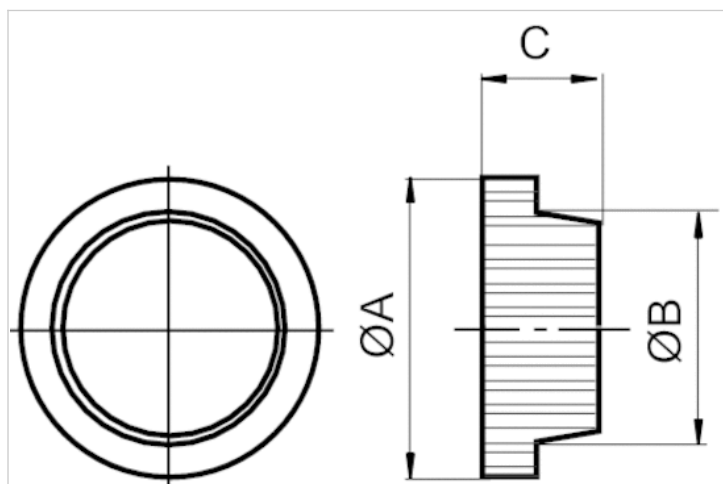
Technical data

| Part No. | Type | Thread connection | Weight |
|------------|------|-------------------|----------|
| 5634810000 | 563 | G 1/4 | 0.004 kg |
| 5654810000 | 565 | G 1/2 | 0.045 kg |

Technical information

| Material | |
|----------|--------------------------------|
| Housing | Brass |
| Seal | Acrylonitrile butadiene rubber |

Dimensions



Dimensions

| Part No. | Type | ØA | ØB | C |
|------------|------|------|------|---|
| 5634810000 | 563 | 14.6 | 12 | 6 |
| 5654810000 | 565 | 22.9 | 18.9 | 8 |

Efficient pneumatic solutions, our program: cylinders and drives, valves and valve systems, air supply management



Visit us: [Emerson.com/Aventics](https://www.emerson.com/Aventics)

Your local contact: [Emerson.com/contactus](https://www.emerson.com/contactus)



Emerson.com



[Facebook.com/EmersonAutomationSolutions](https://www.facebook.com/EmersonAutomationSolutions)



[LinkedIn.com/company/Emerson-Automation-Solutions](https://www.linkedin.com/company/Emerson-Automation-Solutions)



[Twitter.com/EMR_Automation](https://twitter.com/EMR_Automation)

An example configuration is depicted on the title page. The delivered product may thus vary from that in the illustration. Subject to change. This Document, as well as the data, specifications and other information set forth in it, are the exclusive property of AVENTICS GmbH. It may not be reproduced or given to third parties without its consent. Only use the AVENTICS products shown in industrial applications. Read the product documentation completely and carefully before using the product. Observe the applicable regulations and laws of the respective country. When integrating the product into applications, note the system manufacturer's specifications for safe use of the product. The data specified only serve to describe the product. No statements concerning a certain condition or suitability for a certain application can be derived from our information. The information given does not release the user from the obligation of own judgment and verification. It must be remembered that the products are subject to a natural process of wear and aging.

The Emerson logo is a trademark and service mark of Emerson Electric Co. Brand logotype are registered trademarks of one of the Emerson family of companies. All other marks are the property of their respective owners. © 2017 Emerson Electric Co. All rights reserved.
2019-03



CONSIDER IT SOLVED™